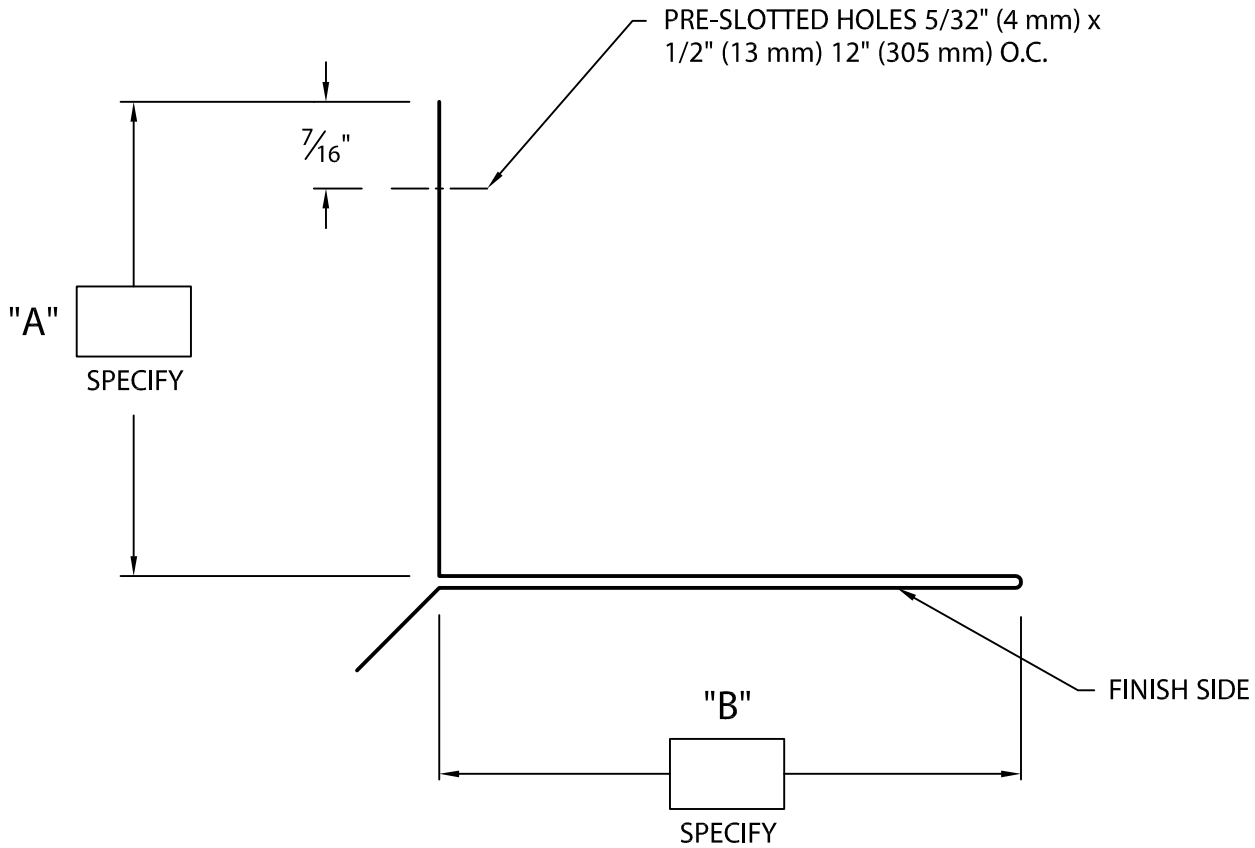


SOFFIT CLEAT



NOTE: 3 1/2" (89 mm) CONCEALED SPLICE PLATE PROVIDED AT EACH JOINT.

Fabrication will proceed only after receipt of signed print approval.

Print Approval:

Architect and/or contractor shall verify all dimensions, sizes and quantities. All products to be installed in strict accordance with Metal-Era's printed instructions.

Approved by: _____

Date: _____

MATERIAL:

24 Ga. (.65 mm) Galv. Color: _____
 .040" (1.01 mm) Alum. Finish: _____
 .050" (1.27 mm) Alum. _____
 OTHER _____

QUANTITIES:

_____ Lineal Feet 12'-0" (3.65 m) Lengths
 _____ Outside Miters @ (_____ °)
 _____ Inside Miters @ (_____ °)

PROJECT:

ARCHITECT:

ROOFING CONTRACTOR:

REPRESENTATIVE/DISTRIBUTOR:

Corporate Offices, Manufacturing
 1600 Airport Road; Waukesha, WI 53188
 Phone: 800-558-2162
 Fax: 800-373-9156
 www.metalera.com



DATE: 05/05/10

DRN BY: JJC

CKD BY: SAK

SHT.# _____ OF _____

DWG# 11014-1314

C