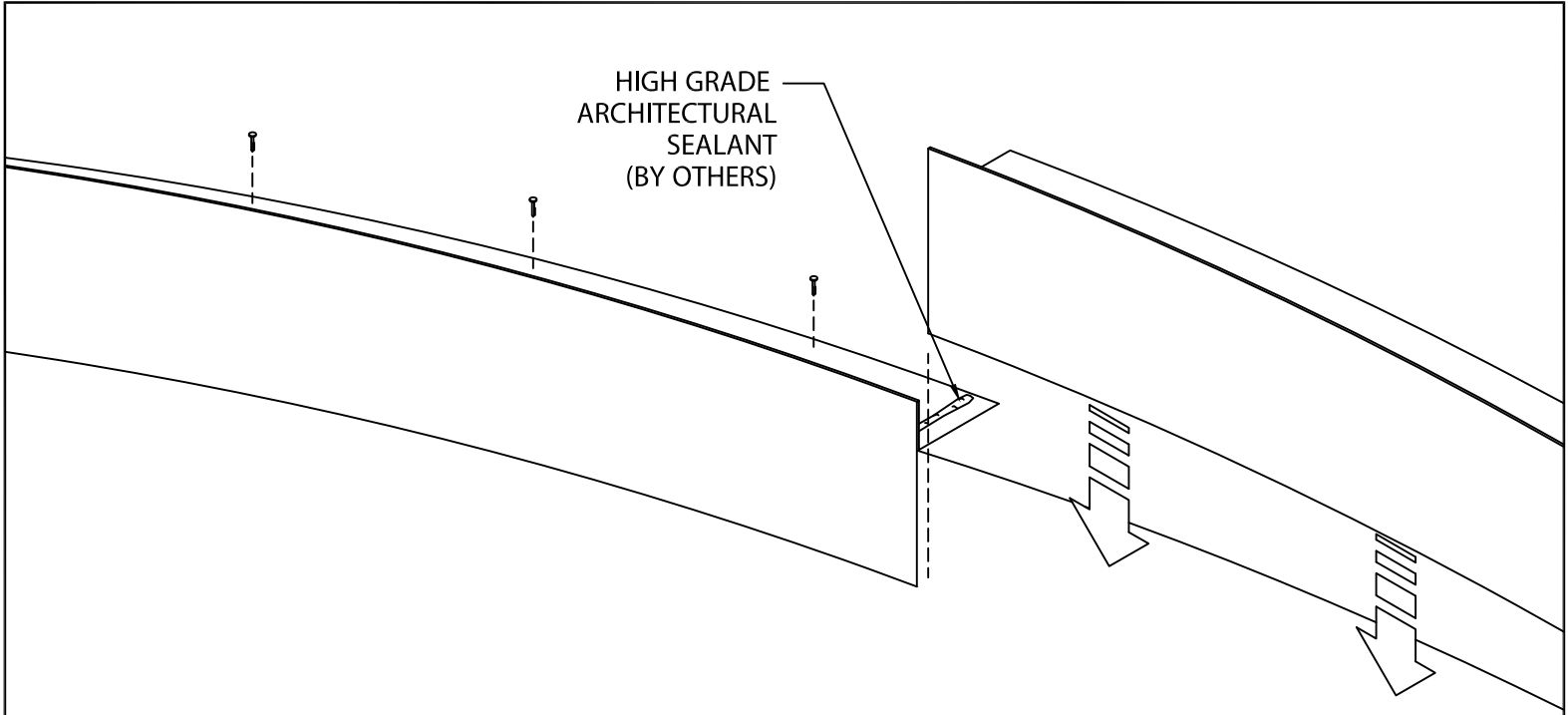


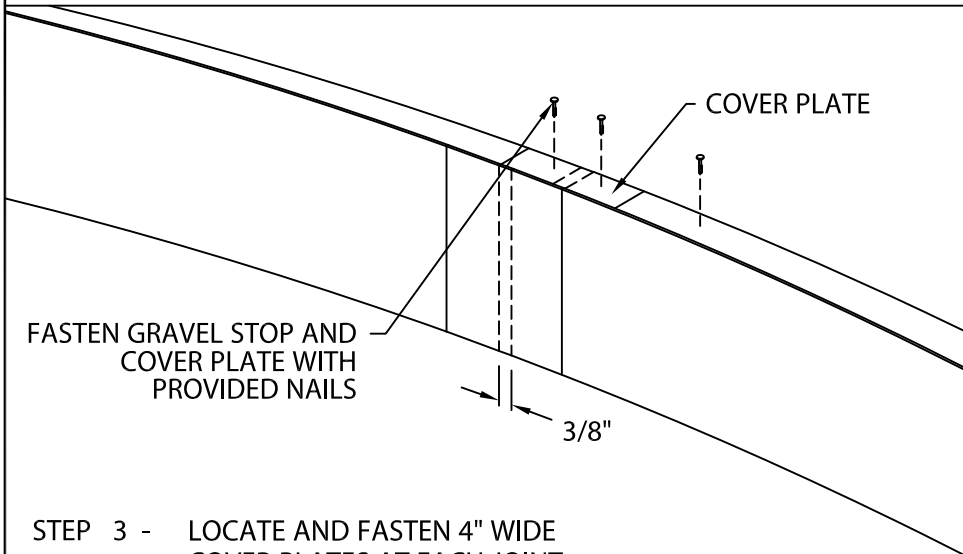
ARCHED ONE GRAVEL STOP

INSTALLATION INSTRUCTIONS



STEP 1 - POSITION AND FASTEN 4'-0" GRAVEL STOP SECTION 6" O.C. AS SHOWN WITH PROVIDED NAILS. LEAVE 3/8" GAP BETWEEN SECTIONS

STEP 2 - APPLY SEALANT (BY OTHERS) ON TOP OF EACH GRAVEL STOP AS SHOWN



STEP 3 - LOCATE AND FASTEN 4" WIDE COVER PLATES AT EACH JOINT.

STEP 4 - CONTINUE BY INSTALLING 4'-0" GRAVEL STOP SECTIONS REMEMBERING TO ALLOW A 3/8" SPACE BETWEEN SECTIONS AS SHOWN BEFORE INSTALLING COVER PLATE. FIELD CUT AS NECESSARY.

CAUTION : REMOVE PROTECTIVE FILM IMMEDIATELY AFTER INSTALLATION. INSTALLERS SHALL WEAR PROTECTIVE EYEWEAR TO PREVENT INJURY.

TYPICAL INSTALLATION

