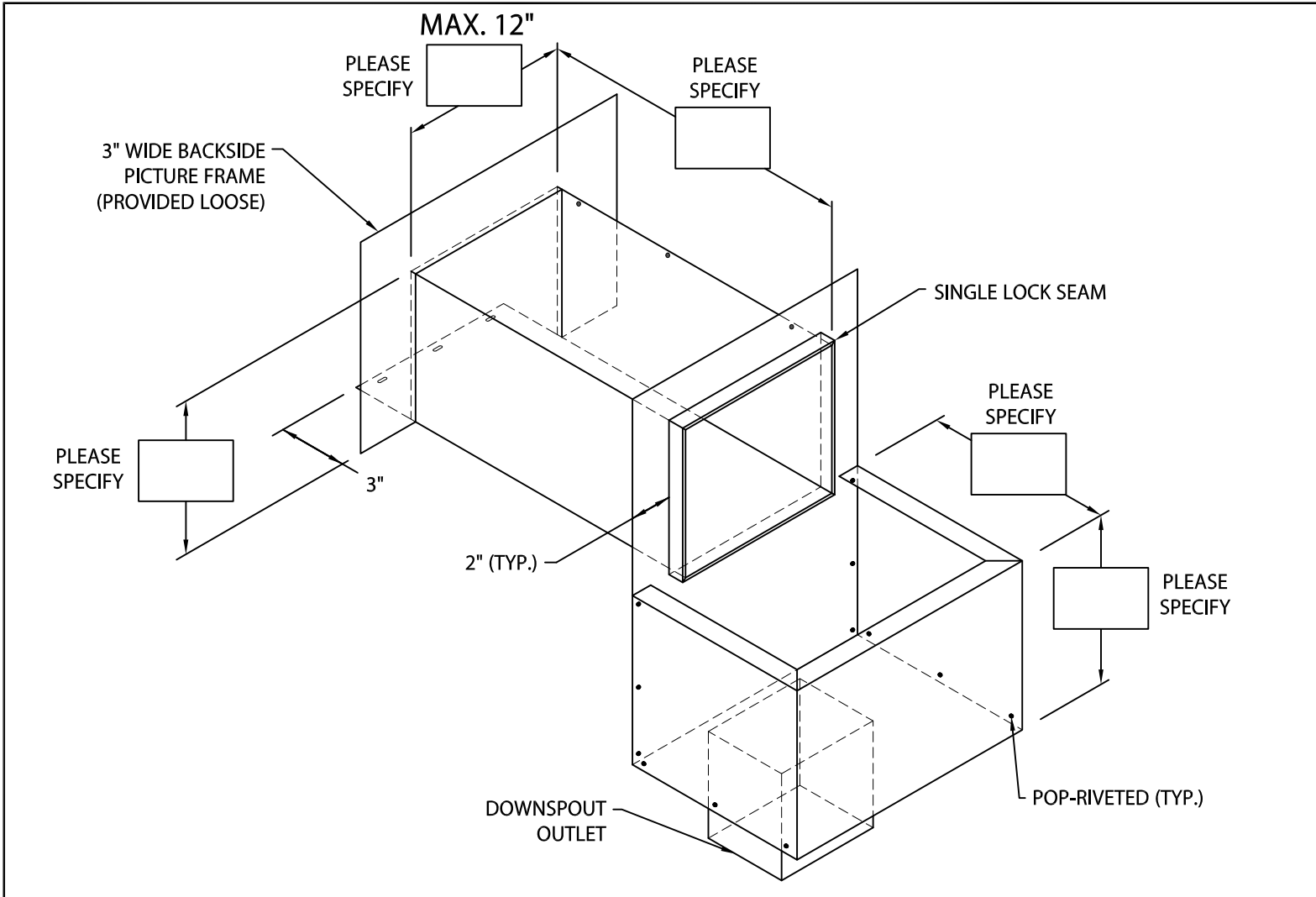


THRU-WALL SCUPPER

POP-RIVETED, DROPPED COLLECTOR BOX VERSION

STYLE 1



Fabrication will proceed only after receipt of signed print approval.

Print Approval:

Architect and/or contractor shall verify all dimensions, sizes and quantities. All products to be installed in strict accordance with Metal-Era's printed instructions.

Approved by: _____

Date: _____

MATERIAL:

___ 24 GA. GALV. STEEL

___ .040" ALUMINUM

___ .050" ALUMINUM

___ OTHER _____

COLOR: _____

FINISH: _____

QUANTITIES:

___ AMOUNT REQUIRED

DOWNSPOUT SIZE _____ x _____

PROJECT:

ARCHITECT:

ROOFING CONTRACTOR:

REPRESENTATIVE/DISTRIBUTOR:

Corporate Offices, Manufacturing
1600 Airport Road; Waukesha, WI 53188
Phone: 800-558-2162
Fax: 800-373-9156
www.metalera.com



DATE: 02/11/22

DRN BY: JJC

CKD BY: MM

SHT.# ____ OF ____

DWG# 11018-11616

D