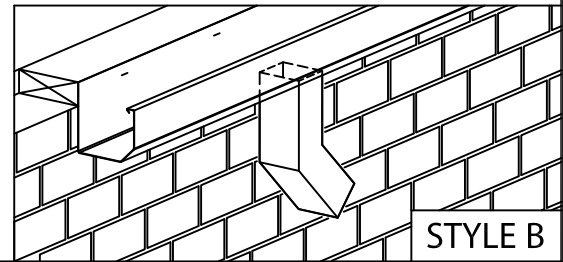
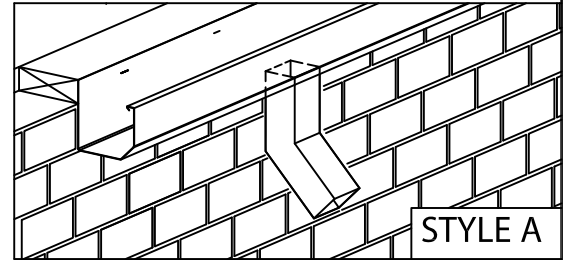
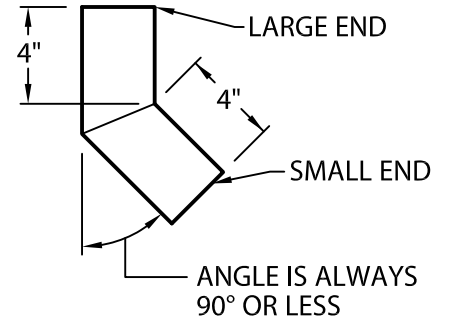
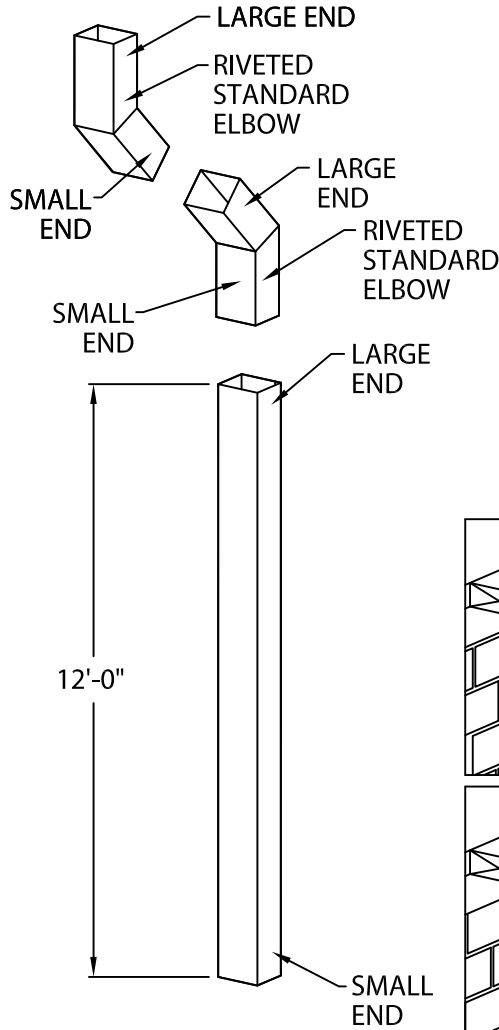
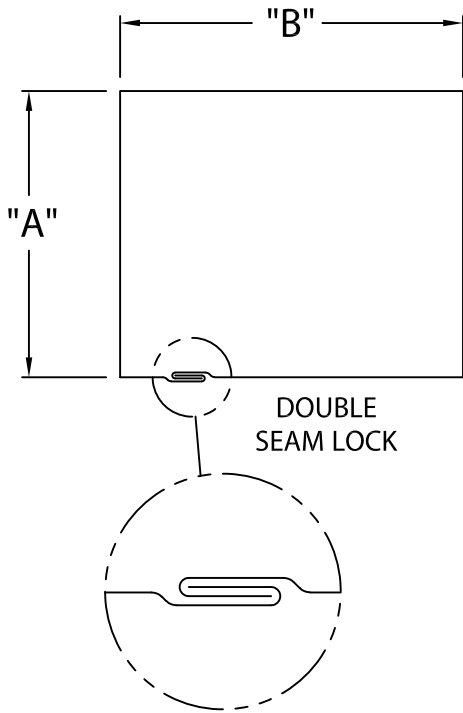


INDUSTRIAL DOWNSPOUT

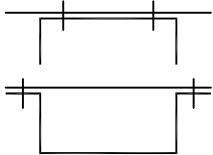
CLOSED FACE VERSION



DOWNSPOUT STRAPS

(SELECT STYLE BELOW, IF STYLE IS NOT SELECTED STYLE 2 WILL BE PROVIDED)

- STYLE 1
- STYLE 2



Fabrication will proceed only after receipt of signed print approval.

Print Approval:

Architect and/or contractor shall verify all dimensions, sizes and quantities. All products to be installed in strict accordance with Metal-Era's printed instructions.

Approved by: _____

Date: _____

MATERIAL:

- 24 GA. GALVANIZED STEEL
- .040" ALUMINUM
- .050" ALUMINUM
- .063" ALUMINUM
- OTHER _____

COLOR: _____ FINISH: _____

QUANTITIES:

- _____ LINEAL FEET 12'-0" LENGTHS SIZE _____" x _____"
- _____ OUTLETS
- _____ STANDARD ELBOWS (____°) STYLE: A ___ B ___
- _____ STANDARD ELBOWS (____°) STYLE: A ___ B ___

PROJECT:

ARCHITECT:

ROOFING CONTRACTOR:

REPRESENTATIVE/DISTRIBUTOR:

Corporate Offices, Manufacturing
1600 Airport Road; Waukesha, WI 53188
Phone: 800-558-2162
Fax: 800-373-9156
www.metalera.com



DATE: 02/06/19

DRN BY: JJC

CKD BY: SAK

SHT.# ____ OF ____

DWG# 11013-30541

A