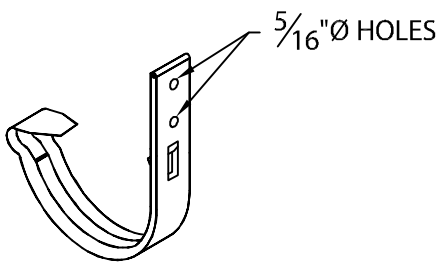
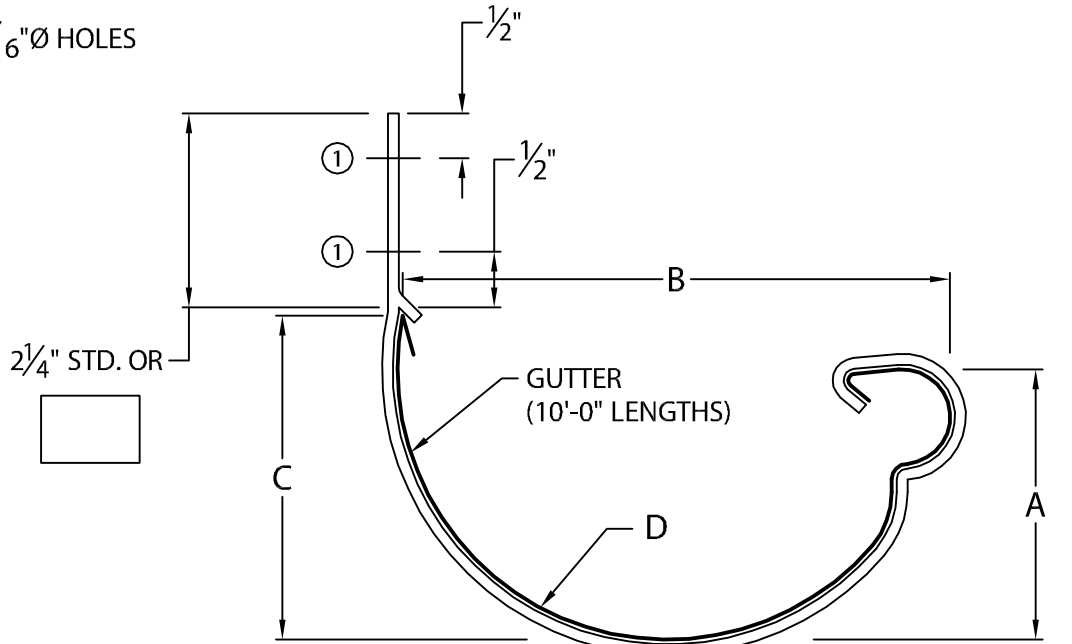


# SEAL-TITE LT HALF ROUND GUTTER

VERTICAL FASCIA VERSION



EXTERNAL GUTTER BRACKET DETAIL



3/16" x 1" STAINLESS BRACKET WRAPPED IN METAL TO MATCH GUTTER  
 5"Ø & 6"Ø - 36" O.C.  
 7"Ø, 8"Ø, 9"Ø & 10"Ø - 24" O.C.

GUTTER DIAMETER	A	B	C	D
<input type="checkbox"/> 5"Ø ②	2 1/2"	5 1/4"	3"	2 1/2" RADIUS
<input type="checkbox"/> 6"Ø	3"	6 1/4"	3 1/2"	3" RADIUS
<input type="checkbox"/> 7"Ø	3 1/2"	7 1/4"	4"	3 1/2" RADIUS
<input type="checkbox"/> 8"Ø	4"	8 1/4"	4 1/2"	4" RADIUS
<input type="checkbox"/> 9"Ø	4 1/2"	9 1/4"	5"	4 1/2" RADIUS
<input type="checkbox"/> 10"Ø	5"	10 1/4"	5 1/2"	5" RADIUS

- ① #10 x 1 1/2" STAINLESS STEEL FASTENERS (PROVIDED)
- ② THIS SIZE NOT AVAILABLE IN 22 GA. GALV. STEEL OR .050" ALUM.

**MATERIAL:**

24 GA. GALV. STEEL ③  
 22 GA. GALV. STEEL ② ③  
 .032" ALUMINUM ③  
 .040" ALUMINUM ③  
 .050" ALUMINUM ② ④  
 OTHER \_\_\_\_\_ COLOR: \_\_\_\_\_  
 FINISH: \_\_\_\_\_

**QUANTITIES:**

\_\_\_\_\_ LINEAL FEET 10'-0" LENGTHS  
 \_\_\_\_\_ OUTSIDE MITERS @ 90°  
 \_\_\_\_\_ INSIDE MITERS @ 90°  
 \_\_\_\_\_ ENDCAPS: RIGHT \_\_\_\_\_ LEFT \_\_\_\_\_  
 FOR NON-90 MITERS SEE PRINT APPROVAL #11012-25392

**NOTES:**

- MATERIAL PROVIDED WITH 6" WIDE SPLICE PLATES. ④
- MATERIAL NEEDS FIELD NOTCHED LAP JOINTS. ③
- 1/8" STAINLESS STEEL POP RIVETS PROVIDED.
- UNLESS OTHERWISE NOTED, FABRICATION OF MITERS ARE FURNISHED STANDARD UTILIZING POP RIVETS, THEN FACTORY SEALED WATERTIGHT.
- WELDED ACCESSORIES REQUIRE A MINIMUM MATERIAL THICKNESS OF .050".

AUTHORIZED SIGNATURE: \_\_\_\_\_

APPROVED BY: \_\_\_\_\_

DATE: \_\_\_\_\_

PROJECT: \_\_\_\_\_

ARCHITECT: \_\_\_\_\_

ROOFING CONTRACTOR: \_\_\_\_\_

REPRESENTATIVE/DISTRIBUTOR: \_\_\_\_\_

Corporate Offices, Manufacturing  
 1600 Airport Road; Waukesha, WI 53188  
 Phone: 800-558-2162  
 Fax: 800-373-9156  
 www.metalera.com



DATE: 12/20/16 SHT.# \_\_\_\_\_ OF \_\_\_\_\_  
 DRN BY: JJC  
 CKD BY: SAK DWG# 11012-25368 **A**