

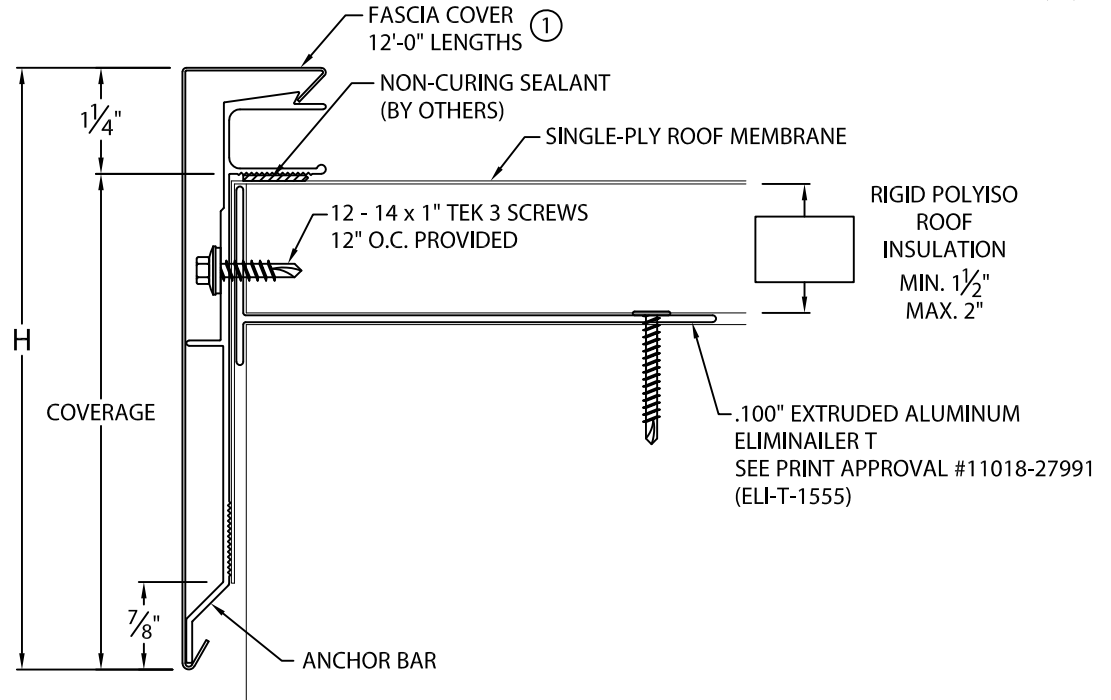


ANCHOR-TITE HG FOR USE WITH ELIMINAILER®-T

1.5" ELIMINAILER VERSION

FOR USE WITH METAL DECK

U.S. PATENT # 9,878,023 B1



NOTES:

- ① FASCIA COVER PROVIDED WITH 3 1/2" WIDE SPLICE PLATES.
- ② NOT AVAILABLE IN 24 GA. GALV. STEEL OR .040" ALUMINUM.

ANCHOR-TITE HG DIMENSIONS

| PRODUCT ID. NO. | H DIM | COVERAGE |
|--|--------|----------|
| <input type="checkbox"/> T-HG-AF-55 | 5 1/2" | 4 1/4" |
| <input type="checkbox"/> T-HG-AF-70 | 7" | 5 3/4" |
| <input type="checkbox"/> T-HG-AF-85 | 8 1/2" | 7 1/4" |
| <input type="checkbox"/> T-HG-AF-100 ② | 10" | 8 3/4" |

Fabrication will proceed only after receipt of signed print approval.

Print Approval:

Architect and/or contractor shall verify all dimensions, sizes and quantities. All products to be installed in strict accordance with Metal-Era's printed instructions.

Approved by: _____

Date: _____

HG COVER MATERIAL:

- ____ 24 GA. GALVANIZED STEEL COLOR: _____
- ____ 22 GA. GALVANIZED STEEL FINISH: _____
- ____ .040" ALUMINUM
- ____ .050" ALUMINUM
- ____ .063" ALUMINUM
- ____ OTHER _____

QUANTITIES:

- _____ LINEAL FEET 12'-0" LENGTHS
 - _____ OUTSIDE MITER(S) @ 90°
 - _____ INSIDE MITER(S) @ 90°
 - _____ OVERFLOW SCUPPER(S) STYLE ____A____B
 - _____ SPILLOUT SCUPPER(S) STYLE ____A____B
 - _____ DOWNSPOUT(S) STYLE ____A____B (____x____) DOWNSPOUT SIZE
- A: TAPERED 1 1/2" DROP B: FLAT

FOR NON-90 MITERS SEE PRINT APPROVAL #11010-1103

PROJECT: _____

ARCHITECT: _____

ROOFING CONTRACTOR: _____

REPRESENTATIVE/DISTRIBUTOR: _____

Corporate Offices, Manufacturing
 1600 Airport Road; Waukesha, WI 53188
 Phone: 800-558-2162
 Fax: 800-373-9156
 www.metalera.com



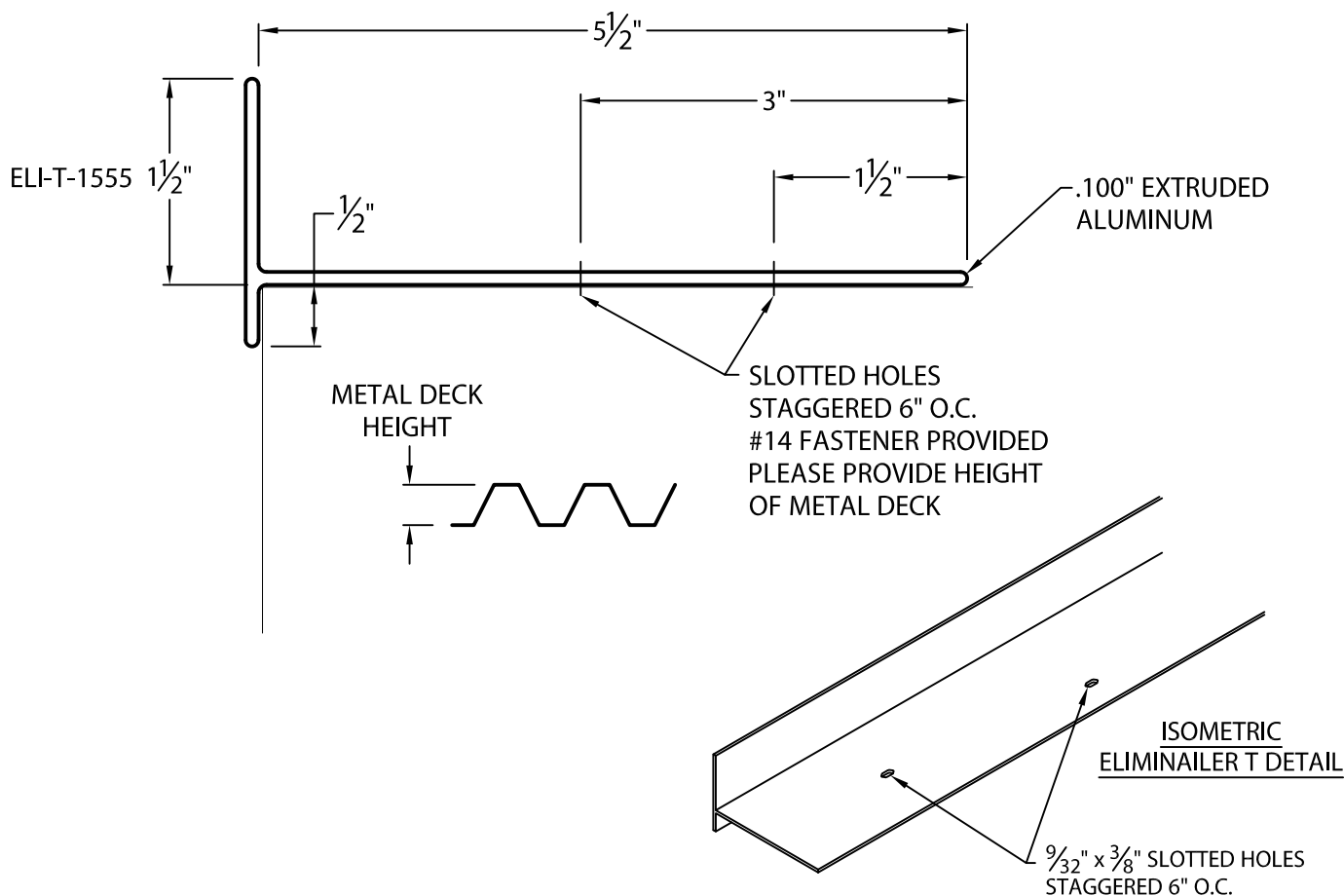
| | |
|----------------|--------------------|
| DATE: 03/15/18 | SHT.# ____ OF ____ |
| DRN BY: JJC | DWG# 11010-28227 |
| CKD BY: SAK | |

A

ELIMINAILER®-T

FOR USE WITH METAL DECK, 1.5" VERSION

U.S. PATENT # 9,878,023 B1



Fabrication will proceed only after receipt of signed print approval.

Print Approval:

Architect and/or contractor shall verify all dimensions, sizes and quantities. All products to be installed in strict accordance with Metal-Era's printed instructions.

Approved by: _____
Date: _____

METAL DECK (22 GA. OR 20 GA. ONLY):

METAL DECK HEIGHT: _____

QUANTITIES:

_____ LINEAL FEET 12'-0" LENGTHS

PROJECT: _____

ARCHITECT: _____

ROOFING CONTRACTOR: _____

REPRESENTATIVE/DISTRIBUTOR: _____

Corporate Offices, Manufacturing
1600 Airport Road; Waukesha, WI 53188
Phone: 800-558-2162
Fax: 800-373-9156
www.metalera.com



DATE: 04/28/18

DRN BY: JJC

CKD BY: SAK

SHT.# ____ OF ____

DWG# 11018-27991

A