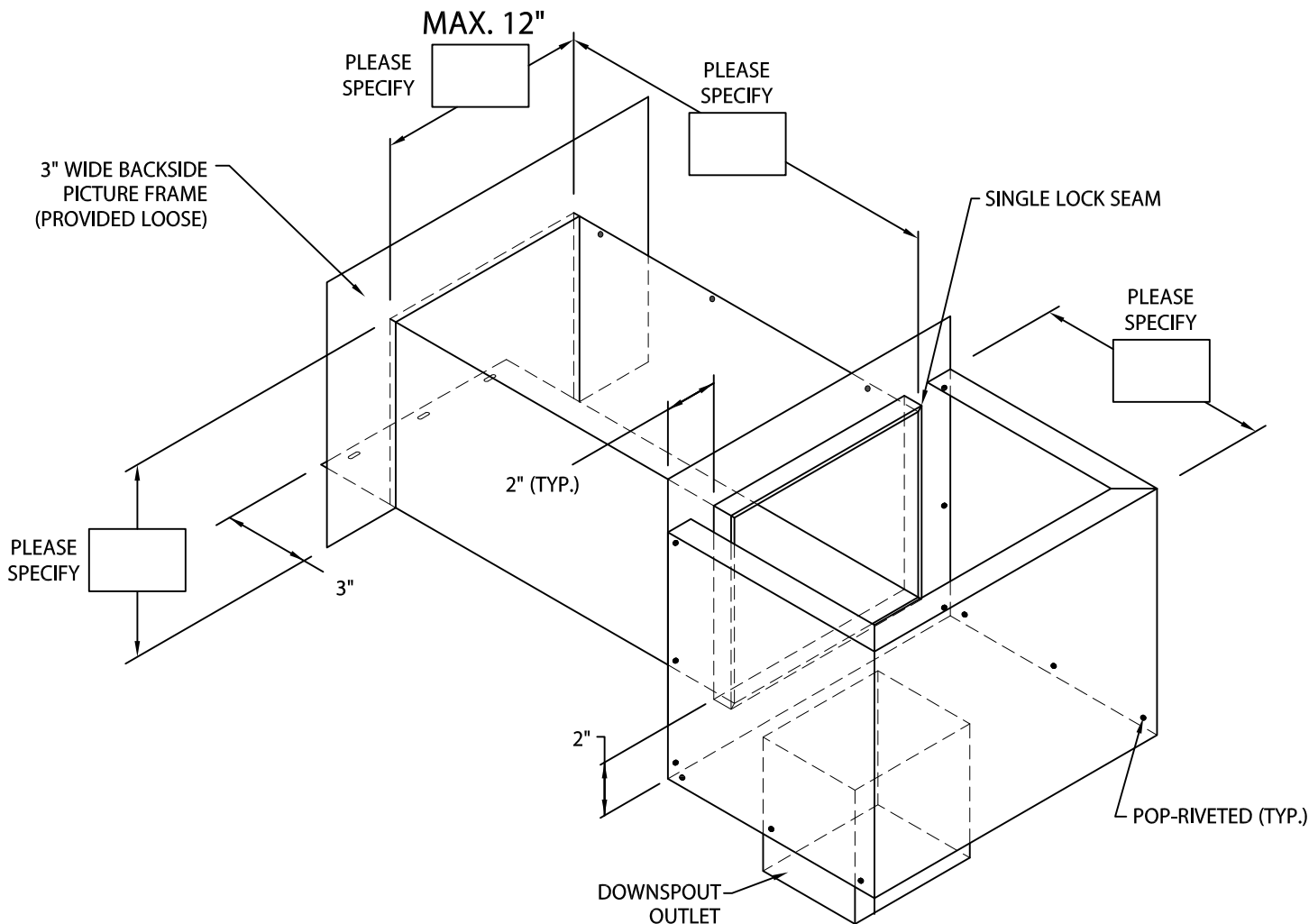


# THRU-WALL SCUPPER

POP-RIVETED, RAISED COLLECTOR BOX VERSION

STYLE 1



Fabrication will proceed only after receipt of signed print approval.

## Print Approval:

Architect and/or contractor shall verify all dimensions, sizes and quantities. All products to be installed in strict accordance with Metal-Era's printed instructions.

Approved by: \_\_\_\_\_

Date: \_\_\_\_\_

## MATERIAL:

\_\_\_ 24 GA. GALV. STEEL

\_\_\_ .040" ALUMINUM

\_\_\_ .050" ALUMINUM

\_\_\_ OTHER \_\_\_\_\_

COLOR: \_\_\_\_\_

FINISH: \_\_\_\_\_

## QUANTITIES:

\_\_\_ AMOUNT REQUIRED

DOWNSPOUT SIZE \_\_\_\_\_ x \_\_\_\_\_

PROJECT:

ARCHITECT:

ROOFING CONTRACTOR:

REPRESENTATIVE/DISTRIBUTOR:

Corporate Offices, Manufacturing  
1600 Airport Road; Waukesha, WI 53188  
Phone: 800-558-2162  
Fax: 800-373-9156  
www.metalera.com



DATE: 02/21/22

DRN BY: JJC

CKD BY: MM

SHT.# \_\_\_\_ OF \_\_\_\_

DWG# 11018-11617

E