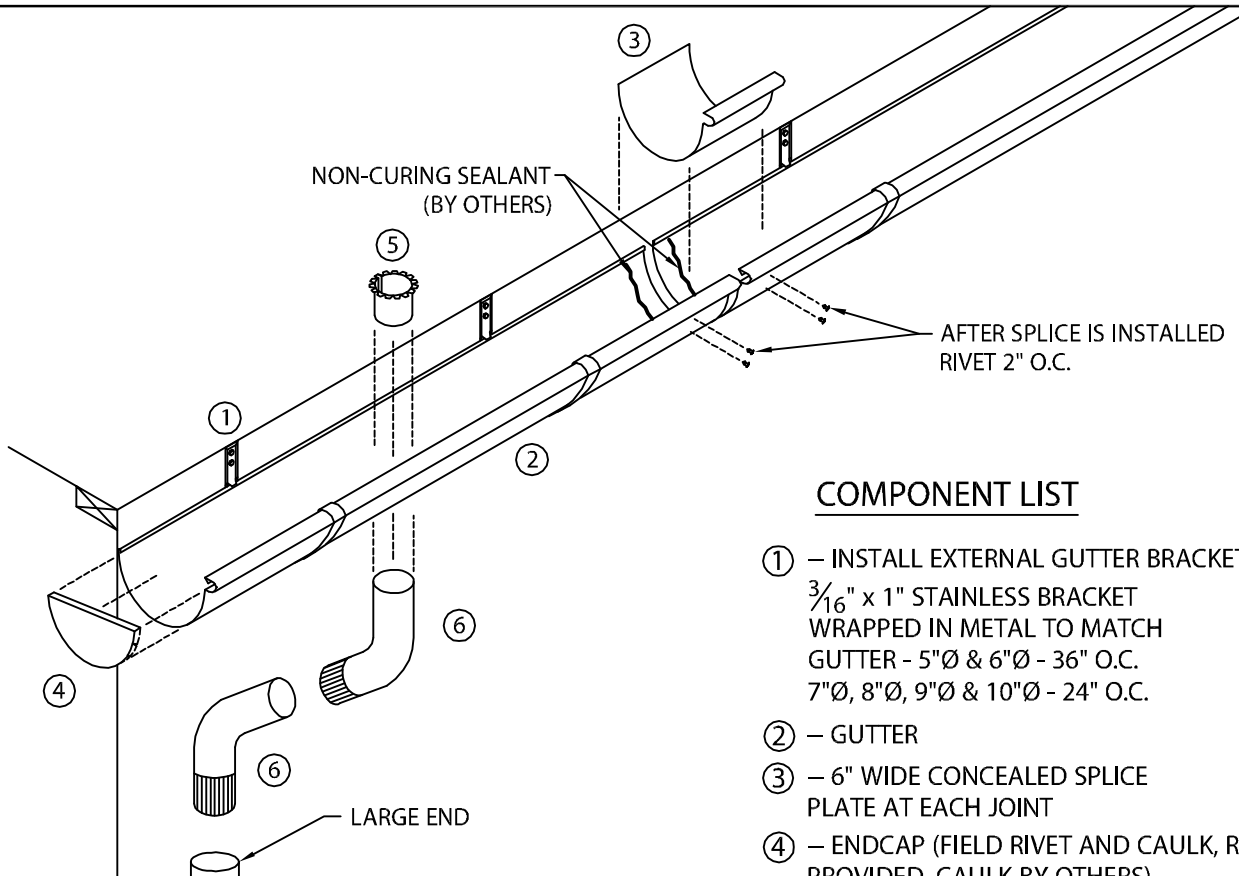


SEAL-TITE LT HALF ROUND GUTTER

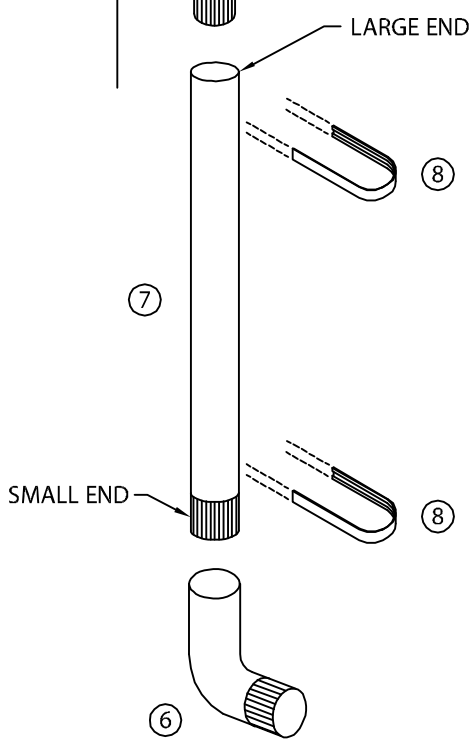
VERTICAL FASCIA, SPLICE PLATE VERSION

INSTALLATION INSTRUCTIONS

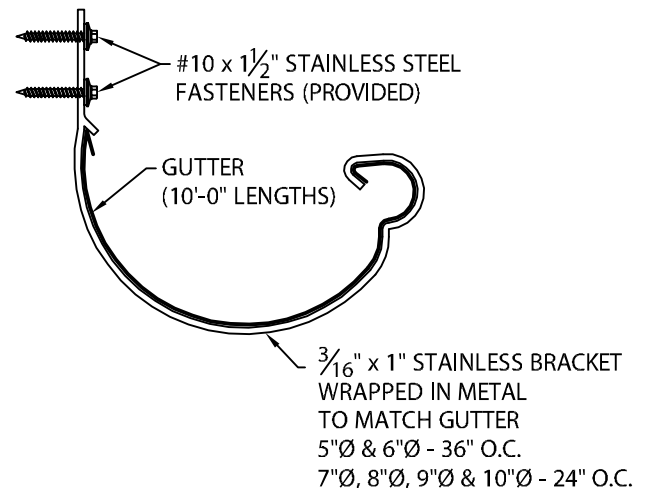


COMPONENT LIST

- ① – INSTALL EXTERNAL GUTTER BRACKETS FIRST
 $\frac{3}{16}$ " x 1" STAINLESS BRACKET
 WRAPPED IN METAL TO MATCH
 GUTTER - 5"Ø & 6"Ø - 36" O.C.
 7"Ø, 8"Ø, 9"Ø & 10"Ø - 24" O.C.
- ② – GUTTER
- ③ – 6" WIDE CONCEALED SPLICE
 PLATE AT EACH JOINT
- ④ – ENDCAP (FIELD RIVET AND CAULK, RIVETS
 PROVIDED, CAULK BY OTHERS)
- ⑤ – OUTLET (FIELD RIVET AND CAULK, RIVETS
 PROVIDED, CAULK BY OTHERS)
- ⑥ – ELBOWS (FIELD FASTEN, FASTENERS BY OTHERS)
- ⑦ – DOWNSPOUT (FIELD FASTEN, FASTENERS BY OTHERS)
- ⑧ – DOWNSPOUT STRAPS (2 PER LENGTH)



TYPICAL ASSEMBLY



SEAL-TITE LT HALF ROUND GUTTER

VERTICAL FASCIA, SPLICE PLATE VERSION

INSTALLATION INSTRUCTIONS

INSTALLING GUTTER INTO EXTERNAL GUTTER BRACKET

