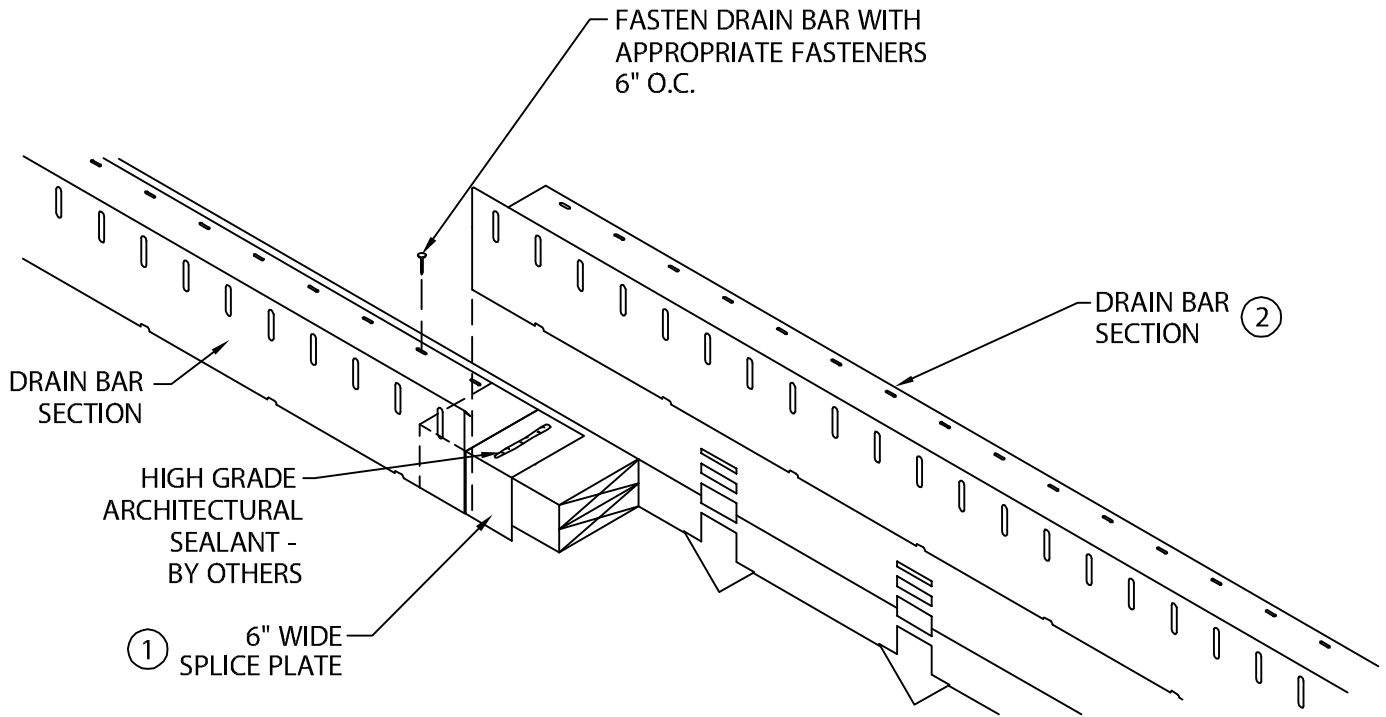
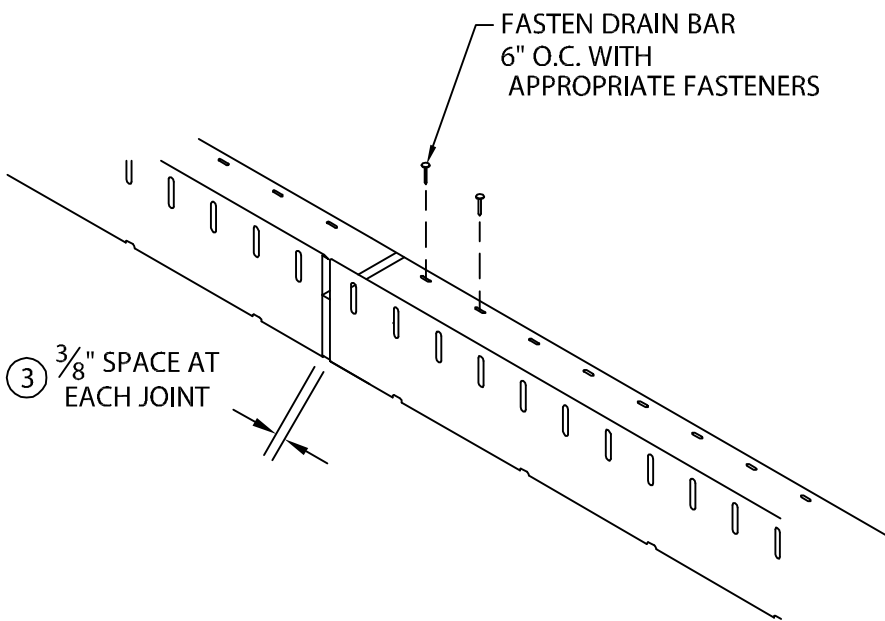


# FLOW-THRU DRAIN BAR

## INSTALLATION INSTRUCTIONS



- STEP 1 - LOCATE 6" WIDE SPLICE PLATES AT EACH JOINT. SEALANT (BY OTHERS) TO BE FIELD APPLIED TO TOP OF EACH SPLICE PLATE AS SHOWN.
- STEP 2 - POSITION AND FASTEN DRAIN BAR AS SHOWN WITH APPROPRIATE FASTENERS.



- STEP 3 - CONTINUE BY INSTALLING DRAIN BAR SECTIONS ALLOWING A 3/8" SPACE BETWEEN SECTIONS AS SHOWN. FIELD CUT AS NECESSARY.

### TYPICAL INSTALLATION

