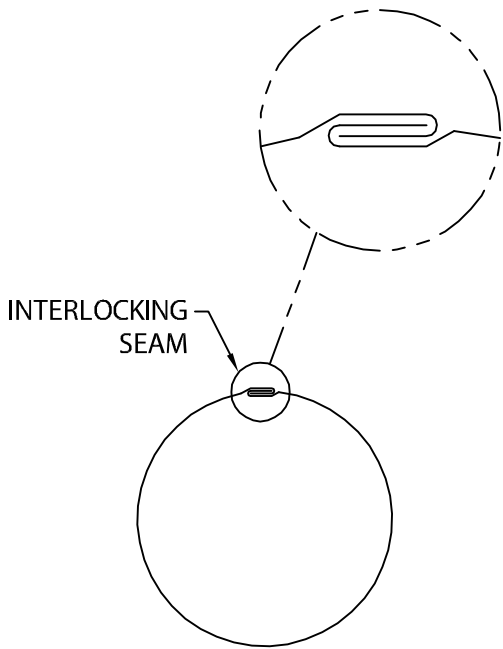
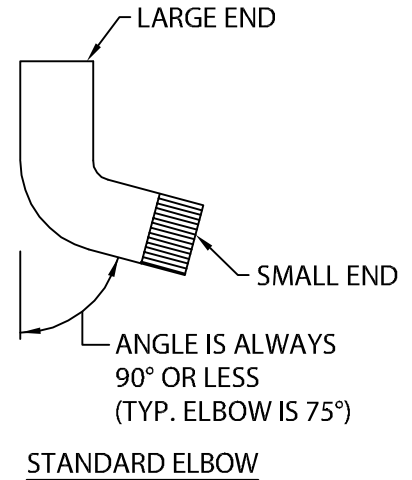
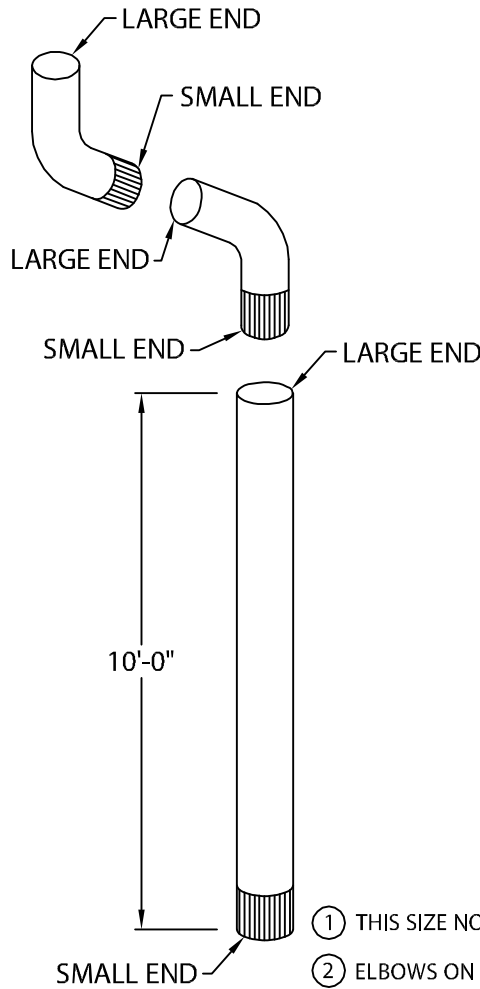


SEAL-TITE LT ROUND DOWNSPOUT & ELBOWS



INTERLOCKING SEAM

$1\frac{3}{8}$ " WIDE DOWNSPOUT STRAPS
(2 PER 10'-0" LENGTH)



SELECT ONE

- 3" ROUND DOWNSPOUT ①
- 4" ROUND DOWNSPOUT
- 5" ROUND DOWNSPOUT
- 6" ROUND DOWNSPOUT
- 8" ROUND DOWNSPOUT ②

- ① THIS SIZE NOT AVAILABLE IN 22 GA. GALV. STEEL OR .050" ALUM.
- ② ELBOWS ON THIS PRINT ARE NOT AVAILABLE IN 8" ROUND. SEE PRINT APPROVAL #11013-25843 FOR AVAILABLE ELBOW.

Fabrication will proceed only after receipt of signed print approval.

Print Approval:

Architect and/or contractor shall verify all dimensions, sizes and quantities. All products to be installed in strict accordance with Metal-Era's printed instructions.

Approved by: _____

Date: _____

MATERIAL:

- ___ 24 GA. GALV. STEEL ___ .040" ALUMINUM
- ___ 22 GA. GALV. STEEL ① ___ .050" ALUMINUM ①
- ___ .032" ALUMINUM

OTHER _____

COLOR: _____ FINISH: _____

QUANTITIES:

- _____ LINEAL FEET 10'-0" LENGTHS
- _____ OUTLETS STYLE A _____ STYLE B _____
- A: FLAT B: HALF ROUND TO MATCH GUTTER BOTTOM
- _____ STANDARD ELBOWS (____°)
- _____ STANDARD ELBOWS (____°)

PROJECT:

ARCHITECT:

ROOFING CONTRACTOR:

REPRESENTATIVE/DISTRIBUTOR:

Corporate Offices, Manufacturing
1600 Airport Road; Waukesha, WI 53188
Phone: 800-558-2162
Fax: 800-373-9156
www.metalera.com



DATE: 12/28/16

DRN BY: JJC

CKD BY: SAK

SHT.# ____ OF ____

DWG# 11013-25385

A