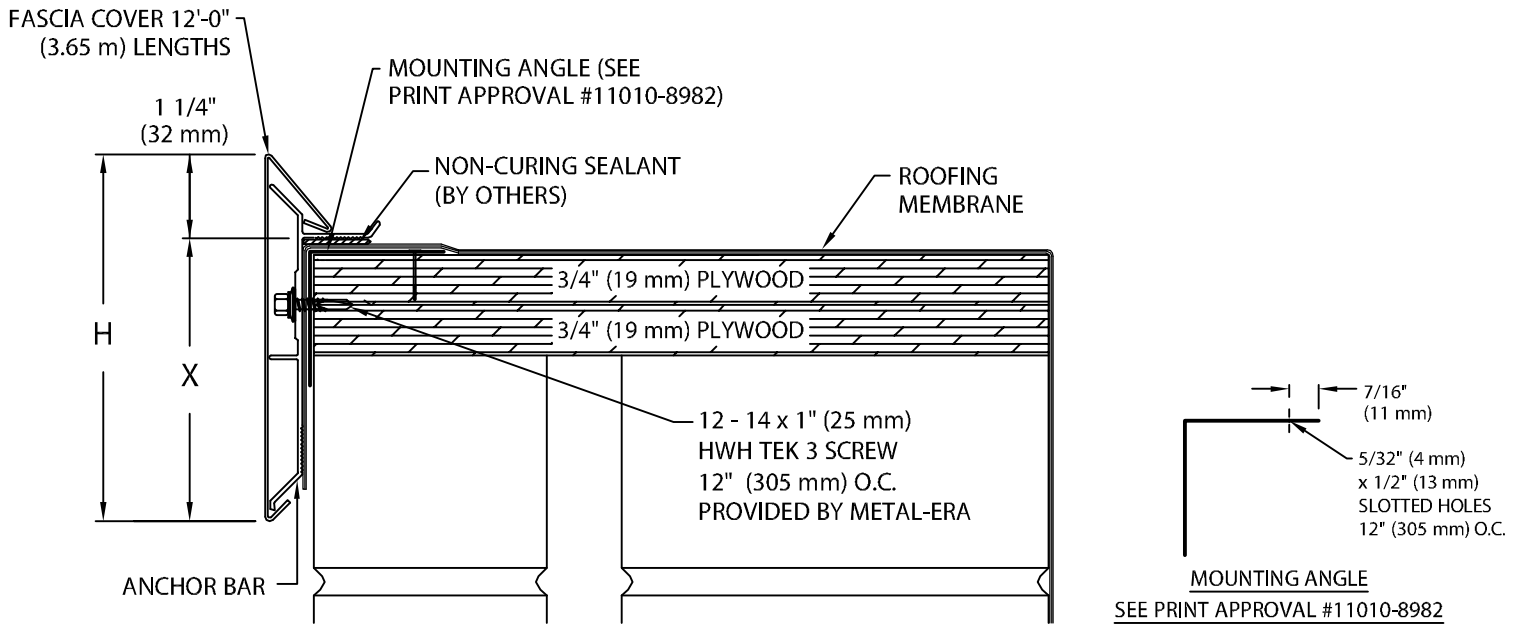


ANCHOR-TITE STANDARD FASCIA

FULLY ADHERED OR MECHANICALLY ATTACHED SINGLE-PLY VERSION

PARAPET WALL, PLYWOOD APPLICATION

ANSI/SPRI ES-1 DESIGN PRESSURE OF UP TO 275 psf



ANCHOR-TITE STANDARD FASCIA DIMENSIONS

PRODUCT ID. NO.	H DIM	X DIM	NAILER COVERAGE
<input type="checkbox"/> AF-40	4" (102 mm)	2 3/4" (70 mm)	1 NAILER
<input type="checkbox"/> AF-55	5 1/2" (140 mm)	4 1/4" (108 mm)	2 NAILERS
<input type="checkbox"/> AF-70	7" (178 mm)	5 3/4" (146 mm)	3 NAILERS
<input type="checkbox"/> AF-85	8 1/2" (216 mm)	7 1/4" (184 mm)	4 NAILERS

MATERIAL:

24 Ga. (.65 mm) Galv. Steel
 .040" (1.01 mm) Aluminum
 OTHER _____

Color: _____

Finish: _____

Fabrication will proceed only after receipt of signed print approval.

Print Approval:

Architect and/or contractor shall verify all dimensions, sizes and quantities. All products to be installed in strict accordance with Metal-Era's printed instructions.

Approved by: _____

Date: _____

QUANTITIES:

_____ Lineal Feet 12'-0" (3.65m) Lengths

_____ Outside Miters @ 90°

_____ Inside Miters @ 90°

_____ Overflow Scupper Style ___A___B

_____ Spillout Scupper Style ___A___B

_____ Downspout Scupper Style ___A___B

(____X____) Size A: Tapered 1 1/2" Drop
B: Flat

FOR NON-90° MITERS SEE PRINT APPROVAL #11010-1103

PROJECT:

ARCHITECT:

ROOFING CONTRACTOR:

REPRESENTATIVE/DISTRIBUTOR:

Corporate Offices, Manufacturing
1600 Airport Road; Waukesha, WI 53188
Phone: 800-558-2162
Fax: 800-373-9156
www.metalera.com



DATE: 08/29/17

DRN BY: JJC

CKD BY: SAK

SHT.# ____ OF ____

DWG# 11010-8921

E