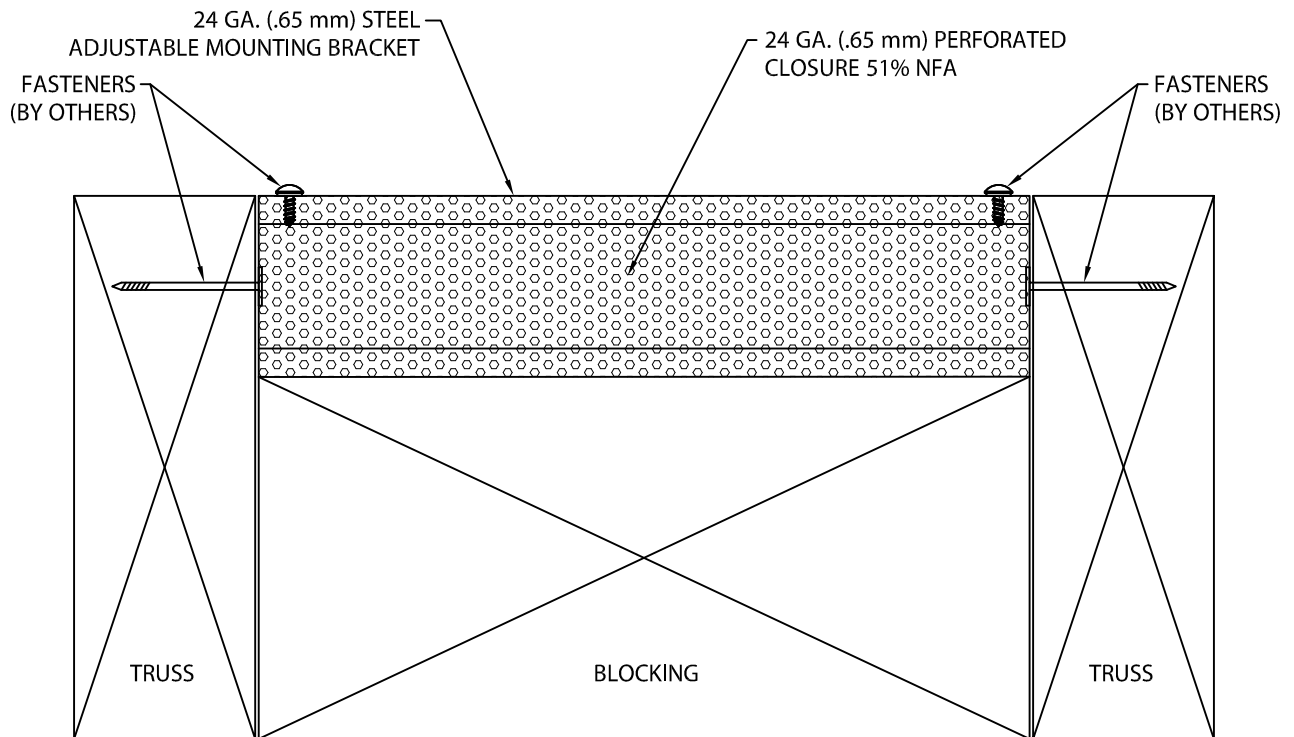


ECO-PERF TRUSS VENT

INSTALLATION INSTRUCTIONS

DETAIL A*



*EXPOSED RAFTER INSTALLATION SHOWN



Phone: 800-558-2162
Fax: 800-770-3934
www.metalera.com

DATE: 12/01/10

SHT.# 1 OF 5

DRN BY: JJC

CKD BY: SAK

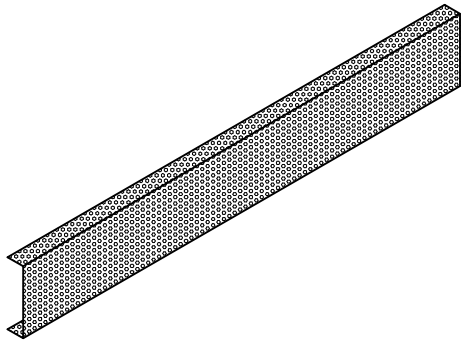
DWG# 31132-12778

A

ECO-PERF TRUSS VENT

INSTALLATION INSTRUCTIONS

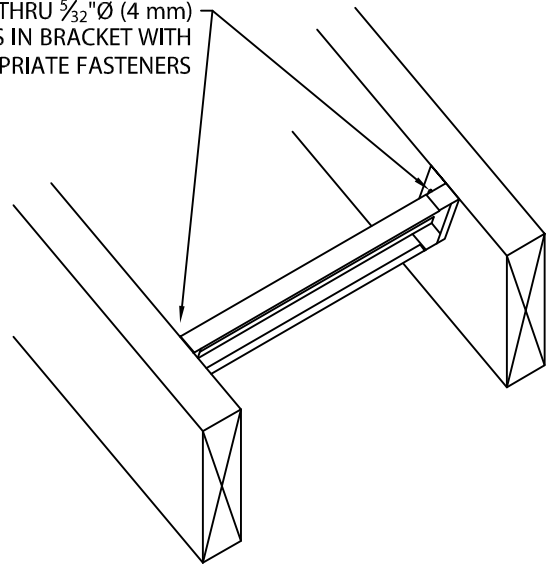
EXPOSED RAFTER TAIL INSTALLATION INSTRUCTIONS



1. PREPARE PERFORATED CLOSURE

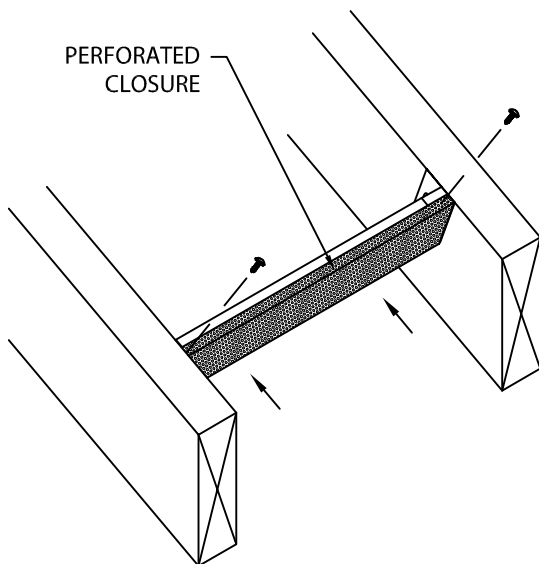
FIELD CUT PERFORATED CLOSURE TO FIT IN BETWEEN TRUSSES.

FASTEN THRU $\frac{5}{32}$ " \varnothing (4 mm)
HOLES IN BRACKET WITH
APPROPRIATE FASTENERS



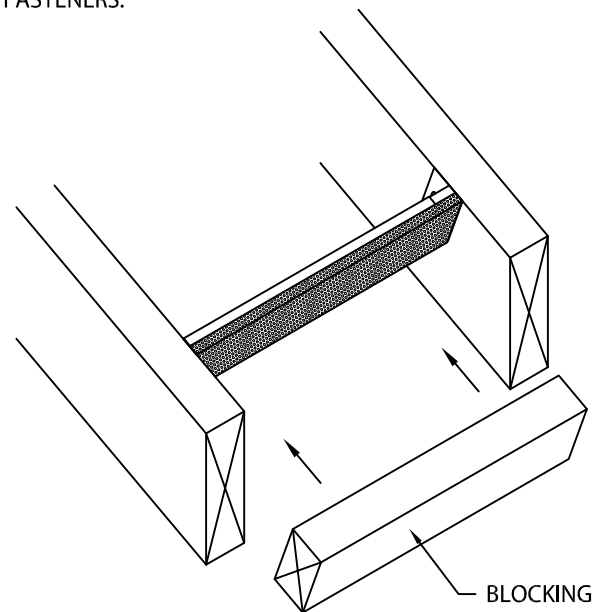
2. ADJUSTABLE MOUNTING BRACKET

ATTACH ADJUSTABLE MOUNTING BRACKET FLUSH TO TOP OF TRUSS. FASTEN WITH APPROPRIATE FASTENERS.



3. PERFORATED CLOSURE

SLIDE FIELD CUT PERFORATED CLOSURE ON TO ADJUSTABLE MOUNTING BRACKET DESIGNED FOR TRUSS SPACING.
FASTEN PERFORATED CLOSURE TO ADJUSTABLE MOUNTING BRACKET.



4. COMPLETION

INSTALL BLOCKING (BY OTHERS) UNDER ECO-PERF TRUSS VENT TO CLOSE OFF ATTIC.



Phone: 800-558-2162
Fax: 800-770-3934
www.metalera.com

DATE: 12/01/10

SHT.# 2 OF 5

DRN BY: JJC

CKD BY: SAK

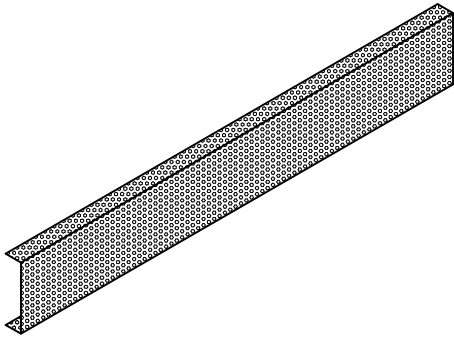
DWG# 31132-12778

A

ECO-PERF TRUSS VENT

INSTALLATION INSTRUCTIONS

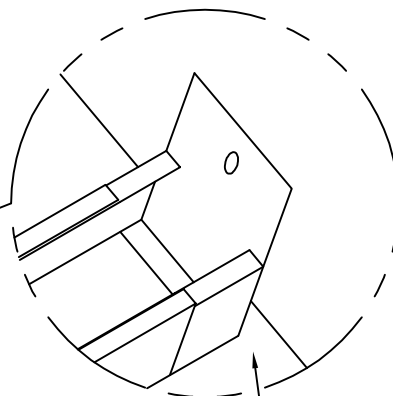
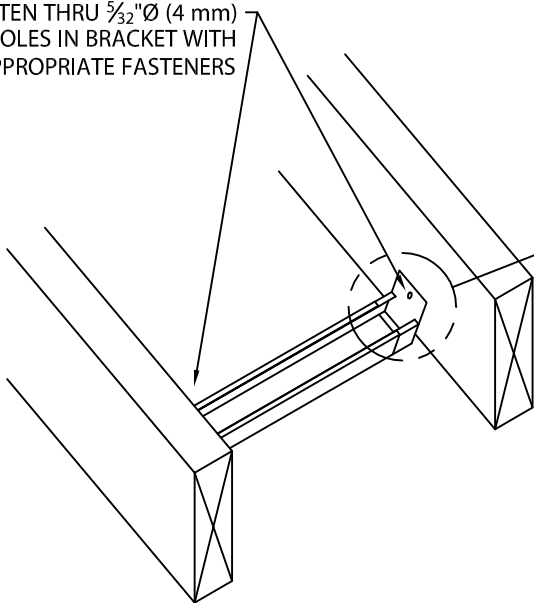
SOFFIT INSTALLATION INSTRUCTIONS



1. PREPARE PERFORATED CLOSURE

FIELD CUT PERFORATED CLOSURE TO FIT IN BETWEEN TRUSSES.

FASTEN THRU $\frac{5}{32}$ " \varnothing (4 mm) HOLES IN BRACKET WITH APPROPRIATE FASTENERS



INSTALL ADJUSTABLE MOUNTING BRACKET LEAVING $\frac{1}{2}$ " (13 mm) EXPOSED UNDERNEATH RAFTER

2. ADJUSTABLE MOUNTING BRACKET

ATTACH ADJUSTABLE MOUNTING BRACKET NEAR BOTTOM OF TRUSS. DEPENDING ON SOFFIT TYPE AND THICKNESS, LEAVE APPROXIMATELY $\frac{1}{2}$ " (13 mm) OF ADJUSTABLE MOUNTING BRACKET EXPOSED UNDER RAFTER AS SHOWN.



Phone: 800-558-2162
Fax: 800-770-3934
www.metalera.com

DATE: 12/01/10

SHT.# 3 OF 5

DRN BY: JJC

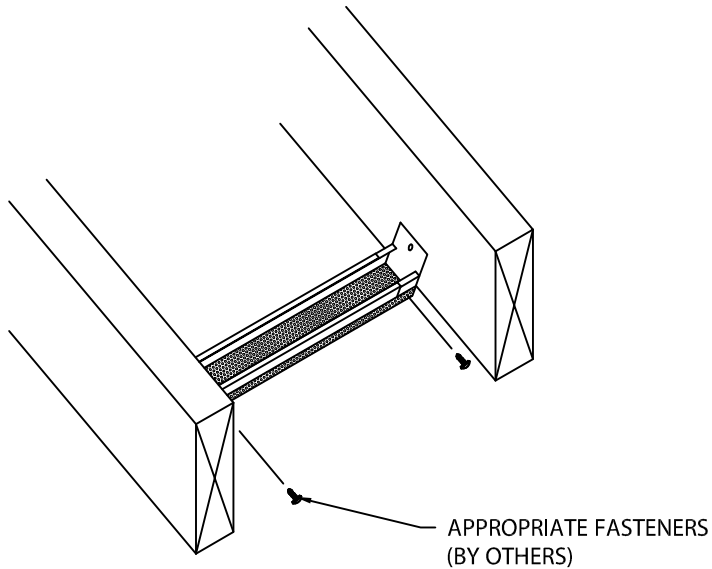
CKD BY: SAK

DWG# 31132-12778

A

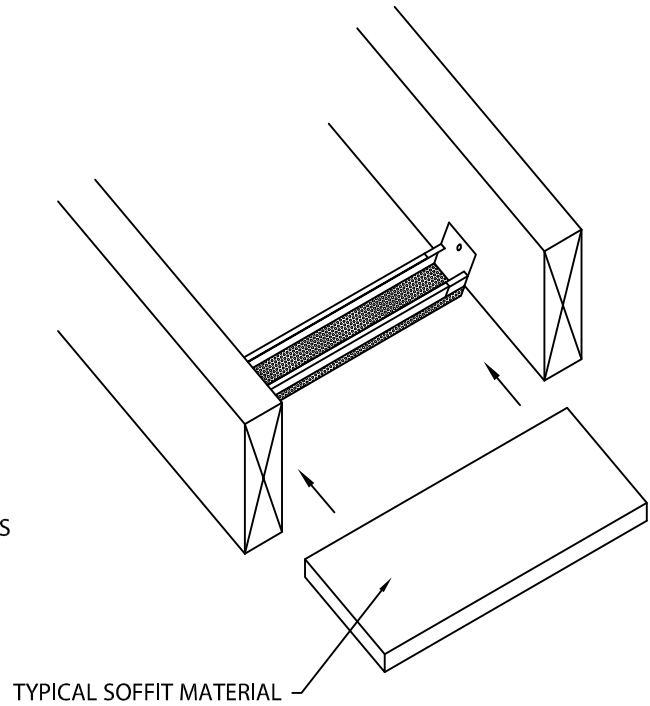
ECO-PERF TRUSS VENT

INSTALLATION INSTRUCTIONS



3. PERFORATED CLOSURE

SLIDE FIELD CUT PERFORATED CLOSURE ON TO
ADJUSTABLE MOUNTING BRACKET DESIGNED FOR TRUSS
SPACING.
FASTEN PERFORATED CLOSURE TO ADJUSTABLE
MOUNTING BRACKET
WITH APPROPRIATE FASTENERS (BY OTHERS).



4. COMPLETION

BUTT SOFFIT MATERIAL (BY OTHERS) AGAINST
ECO-PERF TRUSS VENT.



Phone: 800-558-2162
Fax: 800-770-3934
www.metalera.com

DATE: 12/01/10

SHT.# 4 OF 5

DRN BY: JJC

CKD BY: SAK

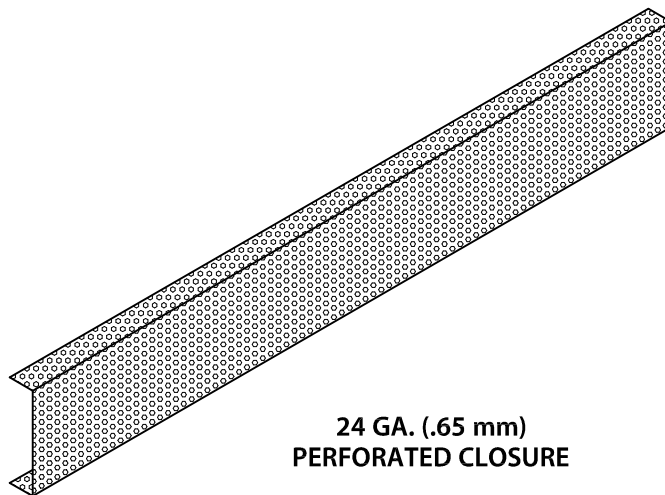
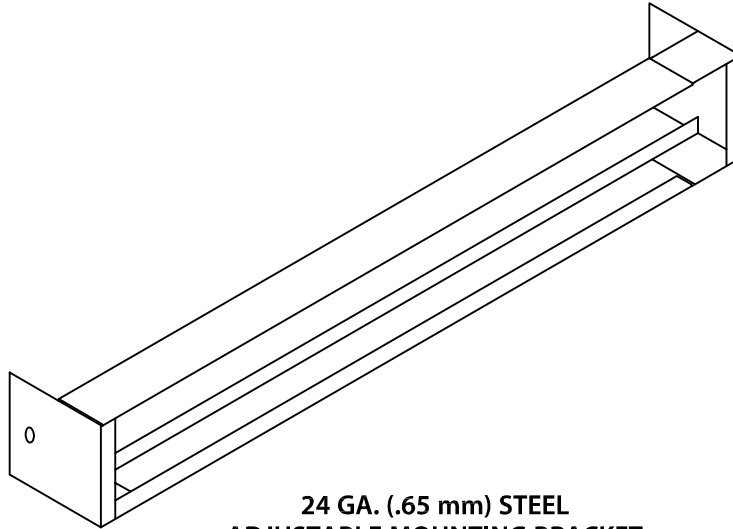
DWG# 31132-12778

A

ECO-PERF TRUSS VENT

INSTALLATION INSTRUCTIONS

TYPICAL COMPONENT LIST



Phone: 800-558-2162
Fax: 800-770-3934
www.metalera.com

DATE: 12/01/10

SHT.# 5 OF 5

DRN BY: JJC

CKD BY: SAK

DWG# 31132-12778

A