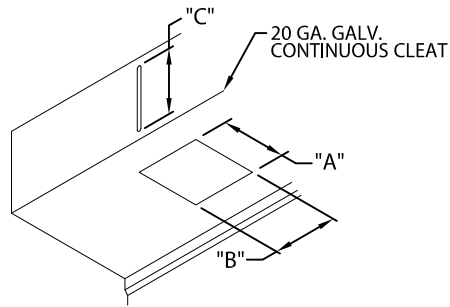


# PERMA-TITE EXPANSION JOINT

ROOF TO WALL VERSION WITH 3 AXIS MOVEMENT

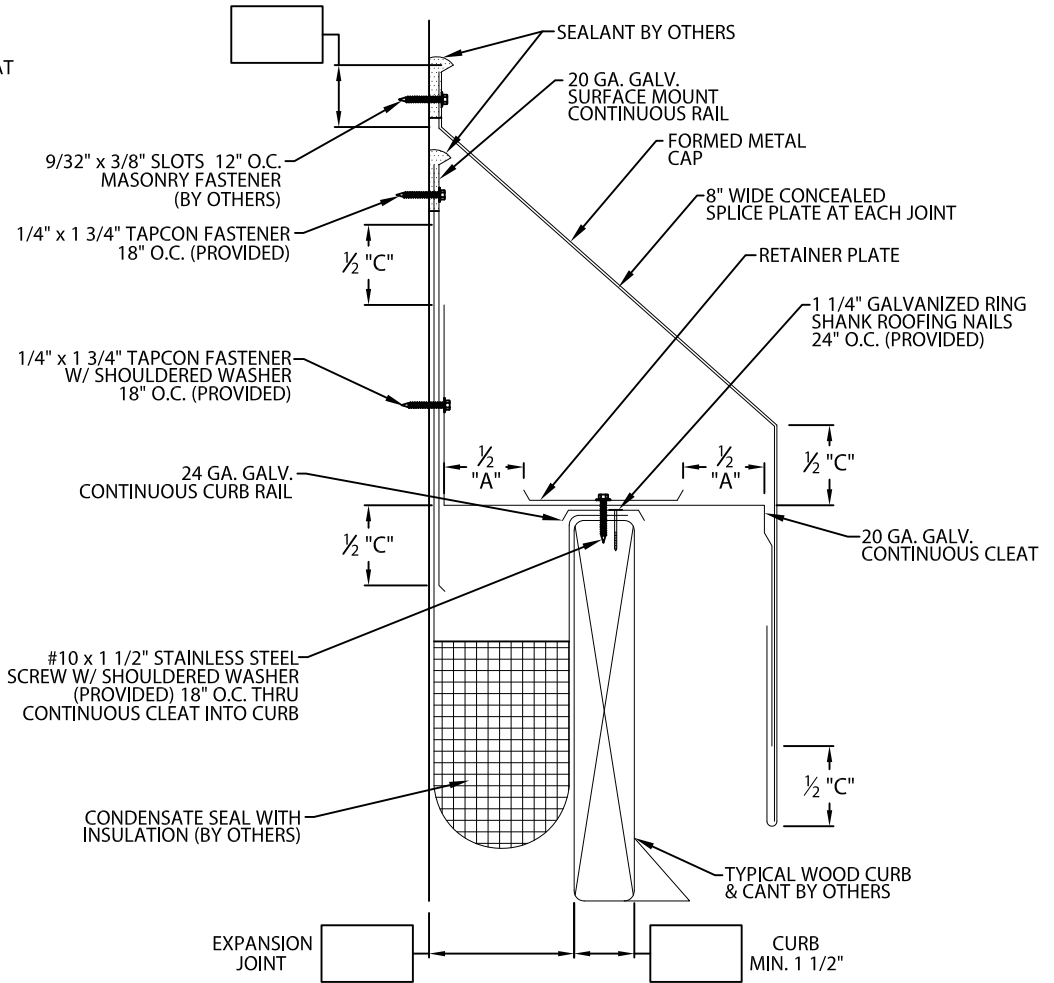


DETAIL VIEW OF 3 AXIS MOVEMENT

**TOTAL EXPECTED MOVEMENT**

- IN AND OUT (LATERAL)  "A"
- SIDE TO SIDE (LINEAL)  "B"
- UP AND DOWN (VERTICAL)  "C"

NOTE:  
RISE, FACE HEIGHT AND OVERALL WIDTH DETERMINED BY METAL-ERA BASED UPON DIMENSIONS GIVEN FOR TOTAL EXPECTED MOVEMENT.



-- WELDED MITERS AND ACCESSORIES  
CHECK ONE  REQUIRED (SURCHARGE)  NOT APPLICABLE

-- UNLESS OTHERWISE NOTED, FABRICATION OF MITERS AND ACCESSORIES ARE FURNISHED STANDARD UTILIZING A NON-PENETRATING QUICKLOCK JOINT, THEN FACTORY SEALED WATERTIGHT.

Fabrication will proceed only after receipt of signed print approval.

### Print Approval:

Architect and/or contractor shall verify all dimensions, sizes and quantities. All products to be installed in strict accordance with Metal-Era's printed instructions.

Approved by: \_\_\_\_\_

Date: \_\_\_\_\_

### MATERIAL:

- \_\_\_ 24 GA. GALV. STEEL
- \_\_\_ .040" ALUMINIUM
- \_\_\_ OTHER \_\_\_\_\_
- \_\_\_ .050" ALUMINIUM
- \_\_\_ .063" ALUMINIUM

COLOR: \_\_\_\_\_ FINISH: \_\_\_\_\_

### QUANTITIES:

- \_\_\_\_\_ LINEAL FEET 12'-0" LENGTHS
- \_\_\_\_\_ OUTSIDE MITER(S) @ (\_\_\_\_\_)°
- \_\_\_\_\_ INSIDE MITER(S) @ (\_\_\_\_\_)°
- \_\_\_\_\_ RIGHT HAND ENDCAP INSERT(S) (AS SEEN FROM ROOF)
- \_\_\_\_\_ LEFT HAND ENDCAP INSERT(S) (AS SEEN FROM ROOF)

PROJECT:

ARCHITECT:

ROOFING CONTRACTOR:

REPRESENTATIVE/DISTRIBUTOR:

Corporate Offices, Manufacturing  
1600 Airport Road; Waukesha, WI 53188  
Phone: 800-558-2162  
Fax: 800-373-9156  
www.metalera.com



DATE: 01/22/20

DRN BY: ZS

CKD BY: JAI

SHT.# \_\_\_\_ OF \_\_\_\_

DWG# 11028-33247

A