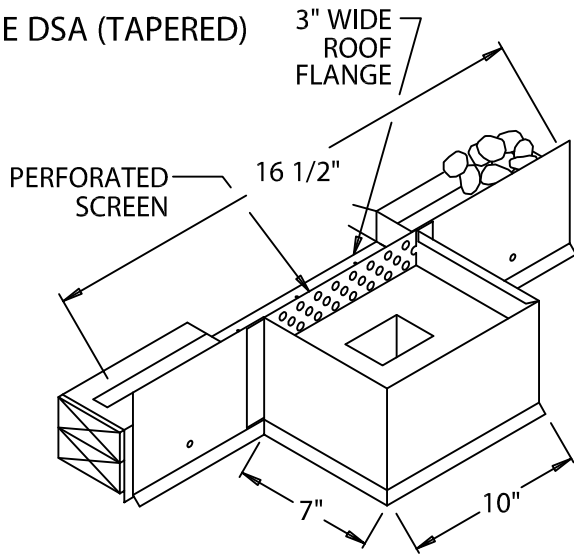


PERMA-TITE FASCIA SYSTEMS SCUPPERS

FOR USE WITH PERMA-TITE FASCIA SYSTEMS 200, 300, 400 & 500

SCUPPERS - FACTORY WELDED CONSTRUCTION

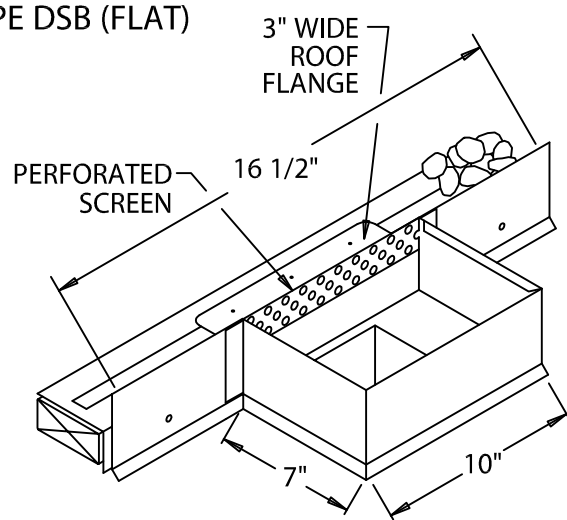
**DOWNSPOUT SCUPPER
TYPE DSA (TAPERED)**



FOR USE WITH TAPERED EDGE STRIP.
FLANGE LOWERED 1-1/2" (38 mm).

NOTE : SPECIFY TUBE SIZE

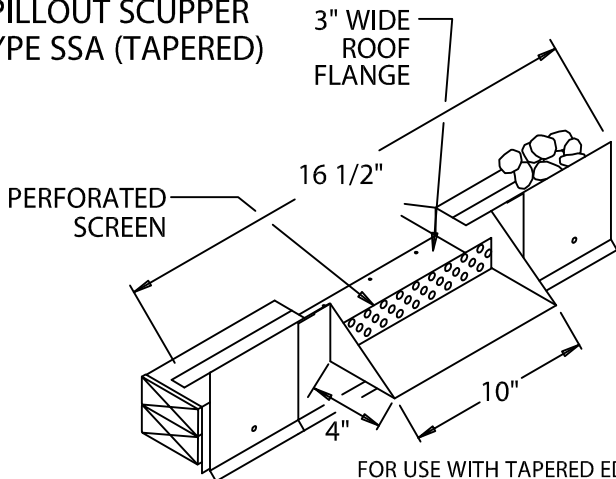
**DOWNSPOUT SCUPPER
TYPE DSB (FLAT)**



FOR USE WITHOUT TAPERED EDGE STRIP.
FLANGE FLUSH MOUNTED WITH ROOF.

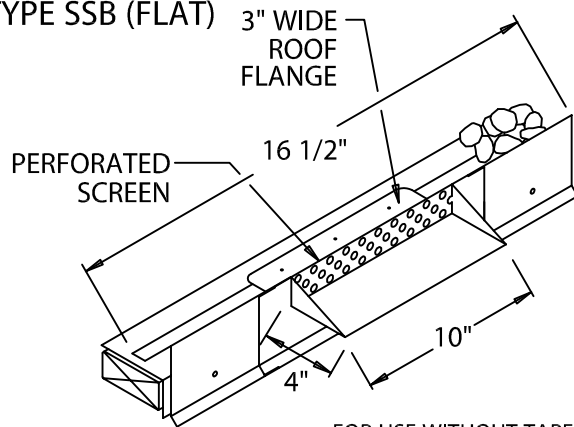
**NOTE :
SPECIFY TUBE SIZE**

**SPILLOUT SCUPPER
TYPE SSA (TAPERED)**



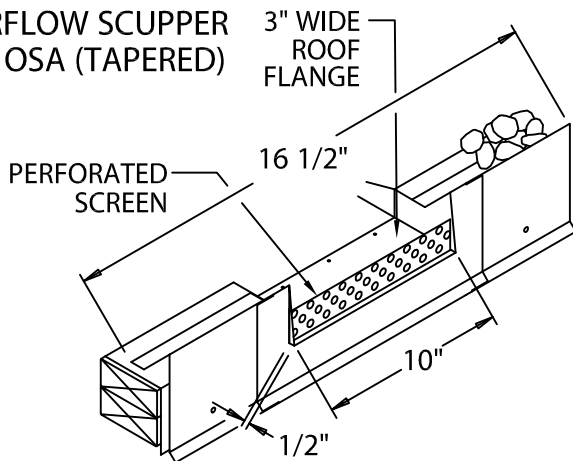
FOR USE WITH TAPERED EDGE STRIP.
FLANGE LOWERED 1-1/2" (38 mm).

**SPILLOUT SCUPPER
TYPE SSB (FLAT)**



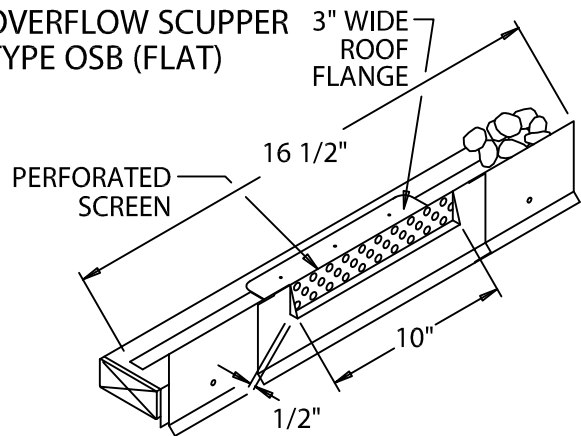
FOR USE WITHOUT TAPERED EDGE STRIP.
FLANGE FLUSH MOUNTED WITH ROOF.

**OVERFLOW SCUPPER
TYPE OSA (TAPERED)**



FOR USE WITH TAPERED EDGE STRIP.
FLANGE LOWERED 1-1/2" (38 mm).

**OVERFLOW SCUPPER
TYPE OSB (FLAT)**



FOR USE WITHOUT TAPERED EDGE STRIP.
FLANGE FLUSH MOUNTED WITH ROOF.



Phone: 800-558-2162

Fax: 800-373-9156

www.metalera.com

DATE: 07/20/05

DRN BY: DWP

CKD BY: SAK

SHT.# ___ OF ___

DWG# 11518-1208

B