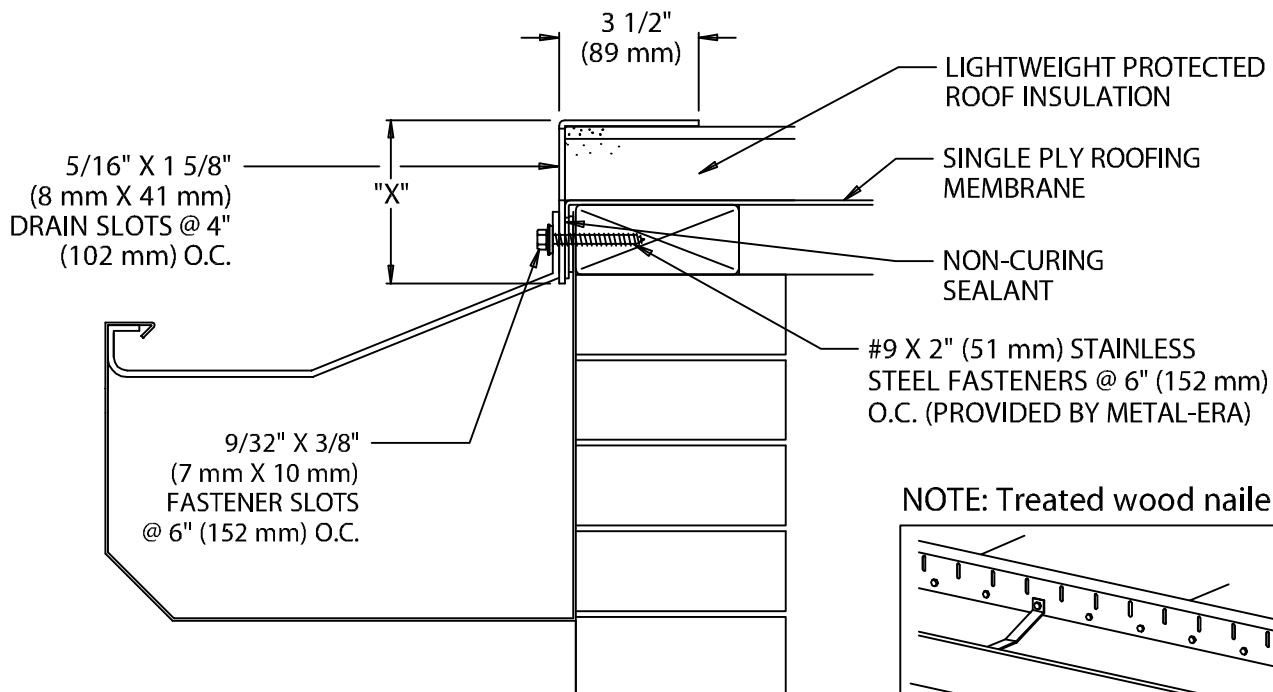
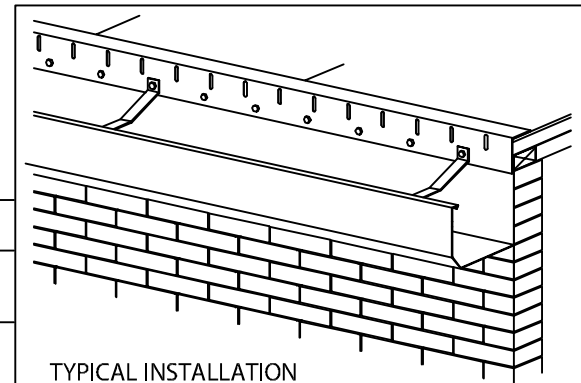


# ADL DRAIN BAR



NOTE: Treated wood nailers required.



## DIMENSIONS:

PRODUCT I.D. NUMBER	"X" DIMENSION	LENGTH
<input type="checkbox"/> ADL-45	4 1/2" (114 mm)	12'-0" (3.65 m)
<input type="checkbox"/> ADL-55	5 1/2" (140 mm)	12'-0" (3.65 m)

Fabrication will proceed only after receipt of signed print approval.

## Print Approval:

Architect and/or contractor shall verify all dimensions, sizes and quantities. All products to be installed in strict accordance with Metal-Era's printed instructions.

Approved by: \_\_\_\_\_

Date: \_\_\_\_\_

## MATERIAL:

DRAIN BAR: 3003-H14 alloy mill finish aluminum .125" thick, pre-slotted for drainage and fastening.

## QUANTITIES:

\_\_\_\_\_ Lineal Feet (12'-0" (3.65 m) Lengths)

\_\_\_\_\_ Welded Outside Miters (90°)

\_\_\_\_\_ Welded Inside Miters (90°)

PROJECT:

ARCHITECT:

ROOFING CONTRACTOR:

REPRESENTATIVE/DISTRIBUTOR:

Corporate Offices, Manufacturing  
1600 Airport Road; Waukesha, WI 53188  
Phone: 800-558-2162  
Fax: 800-373-9156  
www.metalera.com



DATE: 12/18/12

DRN BY: JJC

CKD BY: SAK

SHT.# \_\_\_\_ OF \_\_\_\_

DWG# 11016-1518

C