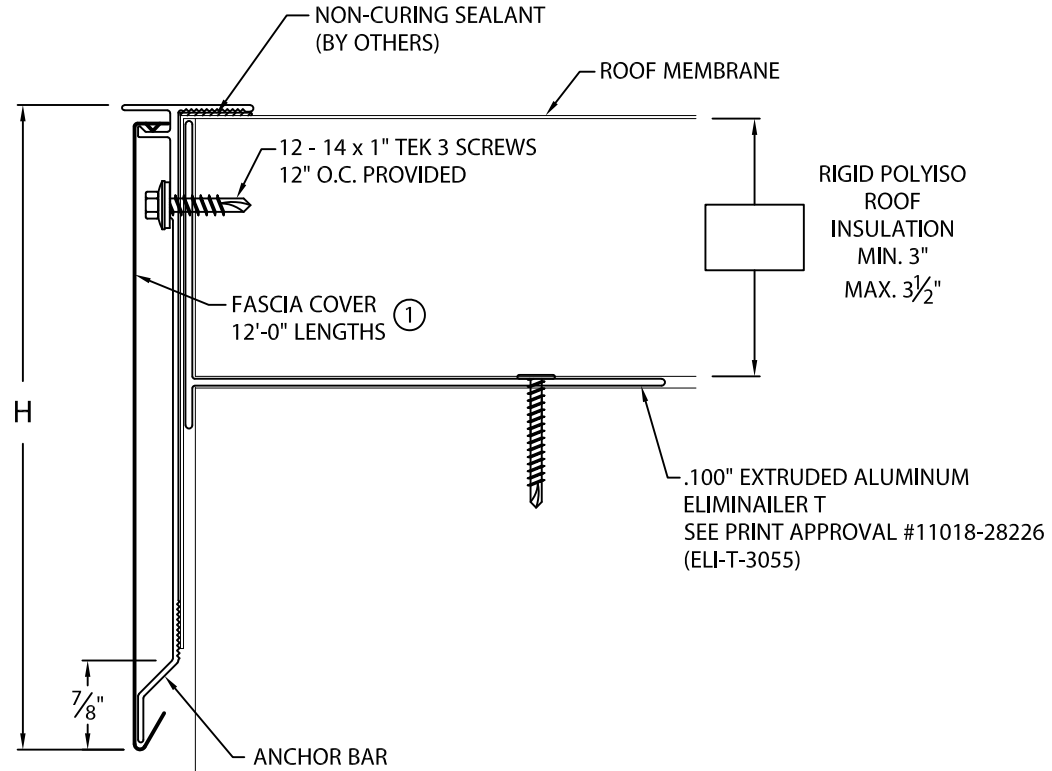




ANCHOR-TITE DRIP EDGE FOR USE WITH ELIMINAILER[®]-T

3" ELIMINAILER VERSION
FOR USE WITH METAL DECK

U.S. PATENT # 9,878,023 B1



NOTES:

① FASCIA COVER PROVIDED WITH 1" LAP JOINTS.

ANCHOR-TITE DRIP EDGE DIMENSIONS

PRODUCT ID. NO.	H DIM
<input type="checkbox"/> T-AFDE-60	6"
<input type="checkbox"/> T-AFDE-75	7½"

Fabrication will proceed only after receipt of signed print approval.

Print Approval:

Architect and/or contractor shall verify all dimensions, sizes and quantities. All products to be installed in strict accordance with Metal-Era's printed instructions.

Approved by: _____

Date: _____

DRIP EDGE COVER MATERIAL:

- 24 GA. GALVANIZED STEEL
 .040" ALUMINUM
 OTHER _____

COLOR: _____

FINISH: _____

QUANTITIES:

- _____ LINEAL FEET 12'-0" LENGTHS
 _____ OUTSIDE MITER(S) @ 90°
 _____ INSIDE MITER(S) @ 90°

FOR NON-90 MITERS SEE PRINT APPROVAL #11010-1103

PROJECT: _____

ARCHITECT: _____

ROOFING CONTRACTOR: _____

REPRESENTATIVE/DISTRIBUTOR: _____

Corporate Offices, Manufacturing
1600 Airport Road; Waukesha, WI 53188
Phone: 800-558-2162
Fax: 800-373-9156
www.metalera.com



DATE: 05/02/18

DRN BY: JJC

CKD BY: SAK

SHT.# ____ OF ____

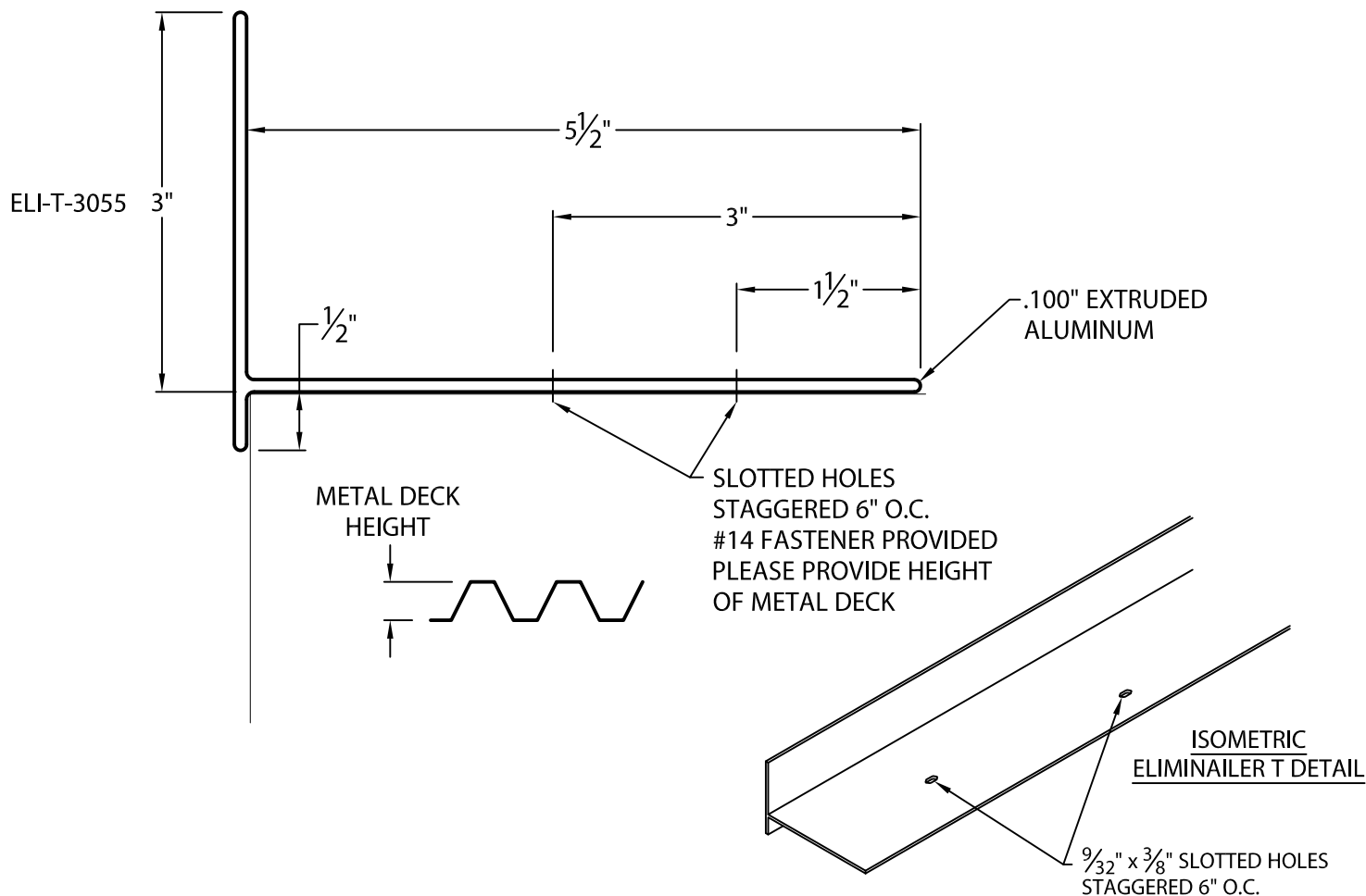
DWG# 11010-28238

A

ELIMINAILER®-T

FOR USE WITH METAL DECK, 3" VERSION

U.S. PATENT # 9,878,023 B1



Fabrication will proceed only after receipt of signed print approval.

Print Approval:

Architect and/or contractor shall verify all dimensions, sizes and quantities. All products to be installed in strict accordance with Metal-Era's printed instructions.

Approved by: _____

Date: _____

METAL DECK (22 GA. OR 20 GA. ONLY):

METAL DECK HEIGHT: _____

QUANTITIES:

_____ LINEAL FEET 12'-0" LENGTHS

PROJECT:

ARCHITECT:

ROOFING CONTRACTOR:

REPRESENTATIVE/DISTRIBUTOR:

Corporate Offices, Manufacturing
1600 Airport Road; Waukesha, WI 53188
Phone: 800-558-2162
Fax: 800-373-9156
www.metalera.com



DATE: 04/28/18

DRN BY: JJC

CKD BY: SAK

SHT.# ____ OF ____

DWG# 11018-28226

A