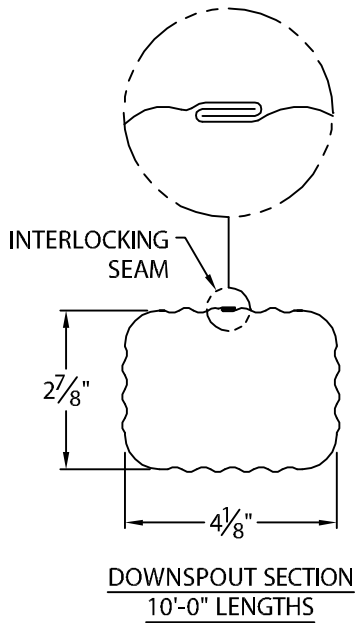


SEAL-TITE LT CORRUGATED DOWNSPOUT & ELBOWS

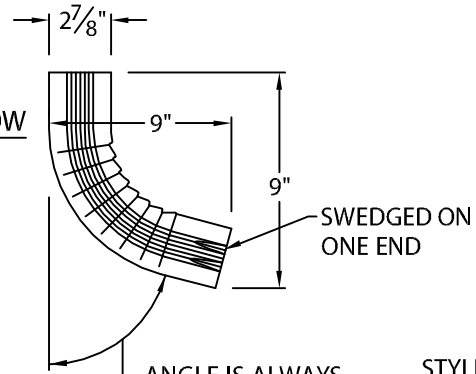
3" x 4" DOWNSPOUT



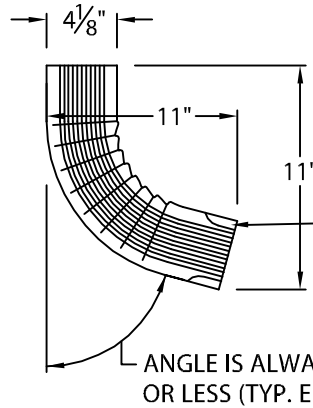
2 1/4" WIDE DOWNSPOUT STRAPS
(2 PER 10'-0" LENGTH)



STYLE "A" ELBOW

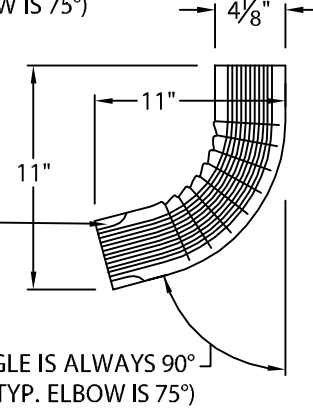


STYLE "B" ELBOW
RIGHT

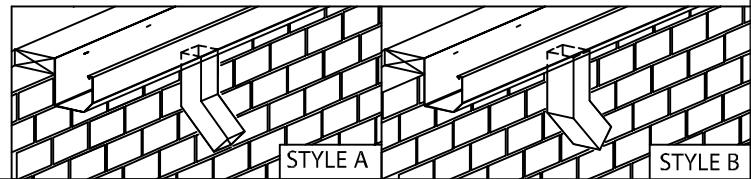


ANGLE IS ALWAYS 90°
OR LESS (TYP. ELBOW IS 75°)

STYLE "B" ELBOW
LEFT



ANGLE IS ALWAYS 90°
OR LESS (TYP. ELBOW IS 75°)



Fabrication will proceed only after receipt of signed print approval.

Print Approval:

Architect and/or contractor shall verify all dimensions, sizes and quantities. All products to be installed in strict accordance with Metal-Era's printed instructions.

Approved by: _____

Date: _____

MATERIAL:

___ 24 GA. GALV. STEEL OTHER _____

___ .032" ALUMINUM

COLOR: _____ FINISH: _____

QUANTITIES:

_____ LINEAL FEET 10'-0" LENGTHS

_____ PIECES @ _____ LENGTHS

_____ OUTLETS

_____ STYLE A ELBOWS (____°)

_____ STYLE B RIGHT ELBOWS (____°)

_____ STYLE B LEFT ELBOWS (____°)

PROJECT:

ARCHITECT:

ROOFING CONTRACTOR:

REPRESENTATIVE/DISTRIBUTOR:

Corporate Offices, Manufacturing
1600 Airport Road; Waukesha, WI 53188
Phone: 800-558-2162
Fax: 800-373-9156
www.metalera.com



DATE: 01/27/17

DRN BY: JJC

CKD BY: SAK

SHT.# ____ OF ____

DWG# 11013-25520

A