

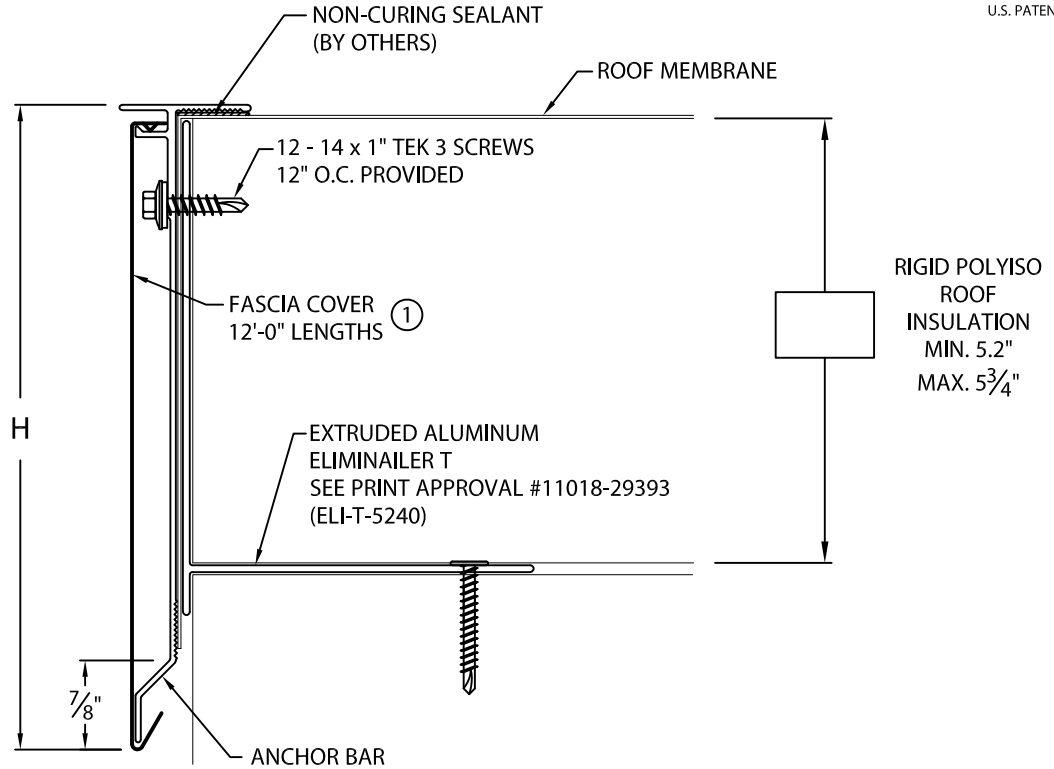


# ANCHOR-TITE DRIP EDGE FOR USE WITH ELIMINAILER®-T

5.2", 4" FLANGE ELIMINAILER VERSION

FOR USE WITH METAL DECK

U.S. PATENT # 9,878,023 B1



## NOTES:

① FASCIA COVER PROVIDED WITH 1" LAP JOINTS.

## ANCHOR-TITE DRIP EDGE DIMENSIONS

PRODUCT ID. NO.	H DIM
<input type="checkbox"/> T-AFDE-75	7/2"

Fabrication will proceed only after receipt of signed print approval.

## Print Approval:

Architect and/or contractor shall verify all dimensions, sizes and quantities. All products to be installed in strict accordance with Metal-Era's printed instructions.

Approved by: \_\_\_\_\_

Date: \_\_\_\_\_

## DRIP EDGE COVER MATERIAL:

\_\_\_ 24 GA. GALVANIZED STEEL

\_\_\_ .040" ALUMINUM

\_\_\_ OTHER \_\_\_\_\_

COLOR: \_\_\_\_\_

FINISH: \_\_\_\_\_

## QUANTITIES:

\_\_\_\_\_ LINEAL FEET 12'-0" LENGTHS

\_\_\_\_\_ OUTSIDE MITER(S) @ 90°

\_\_\_\_\_ INSIDE MITER(S) @ 90°

FOR NON-90 MITERS SEE PRINT APPROVAL #11010-1103

PROJECT:

ARCHITECT:

ROOFING CONTRACTOR:

REPRESENTATIVE/DISTRIBUTOR:

Corporate Offices, Manufacturing  
1600 Airport Road; Waukesha, WI 53188  
Phone: 800-558-2162  
Fax: 800-373-9156  
www.metalera.com



DATE: 08/30/18

DRN BY: JJC

CKD BY: SAK

SHT.# \_\_\_ OF \_\_\_

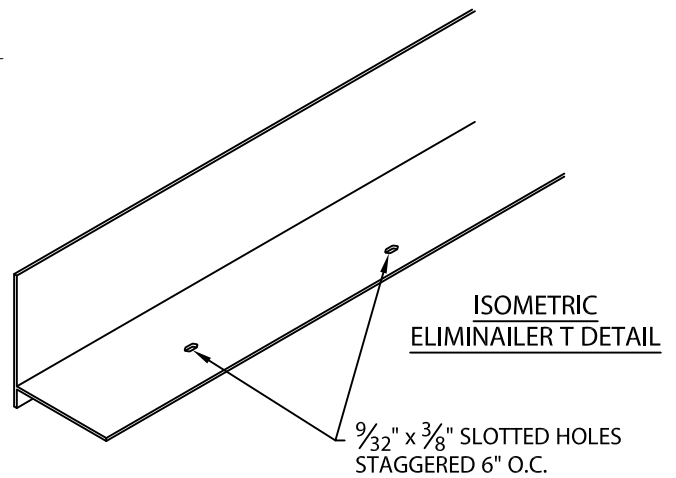
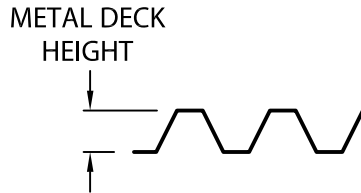
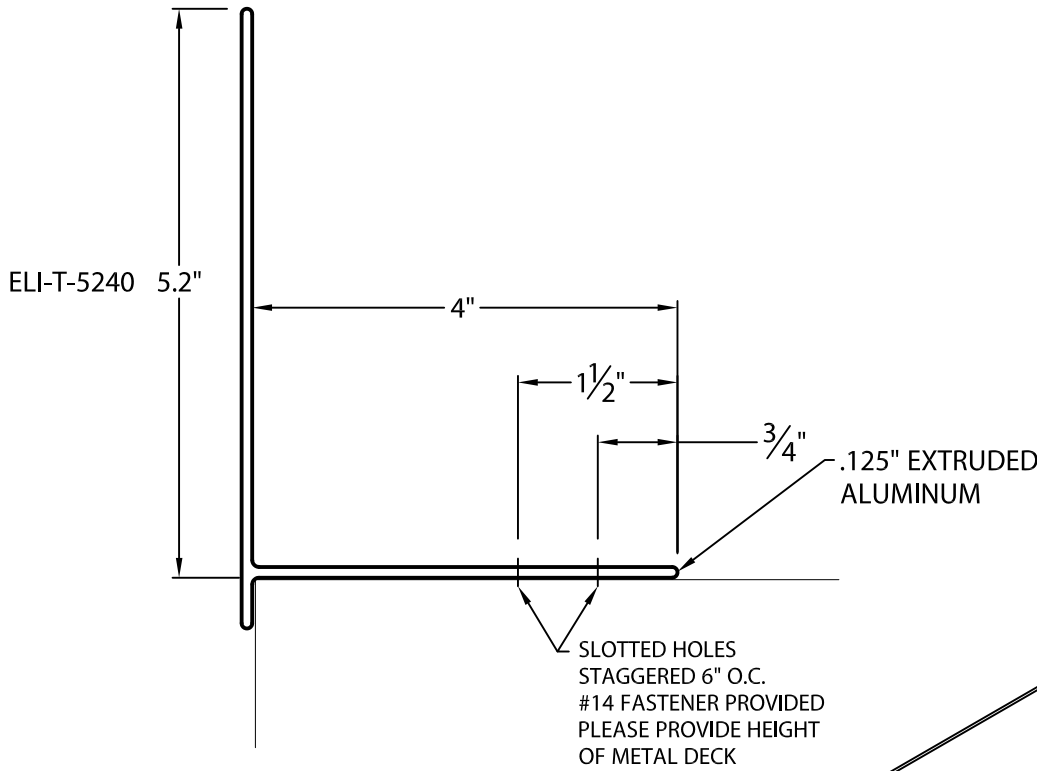
DWG# 11010-29636

A

# ELIMINAILER®-T

FOR USE WITH METAL DECK, 5.2", 4" FLANGE VERSION

U.S. PATENT # 9,878,023 B1



Fabrication will proceed only after receipt of signed print approval.

## Print Approval:

Architect and/or contractor shall verify all dimensions, sizes and quantities. All products to be installed in strict accordance with Metal-Era's printed instructions.

Approved by: \_\_\_\_\_

Date: \_\_\_\_\_

METAL DECK (22 GA. OR 20 GA. ONLY):

METAL DECK HEIGHT: \_\_\_\_\_

### QUANTITIES:

\_\_\_\_\_ LINEAL FEET 12'-0" LENGTHS

PROJECT:

ARCHITECT:

ROOFING CONTRACTOR:

REPRESENTATIVE/DISTRIBUTOR:

Corporate Offices, Manufacturing  
1600 Airport Road; Waukesha, WI 53188  
Phone: 800-558-2162  
Fax: 800-373-9156  
www.metalera.com



DATE: 07/30/18

DRN BY: JJC

CKD BY: SAK

SHT.# \_\_\_\_ OF \_\_\_\_

DWG# 11018-29393

A