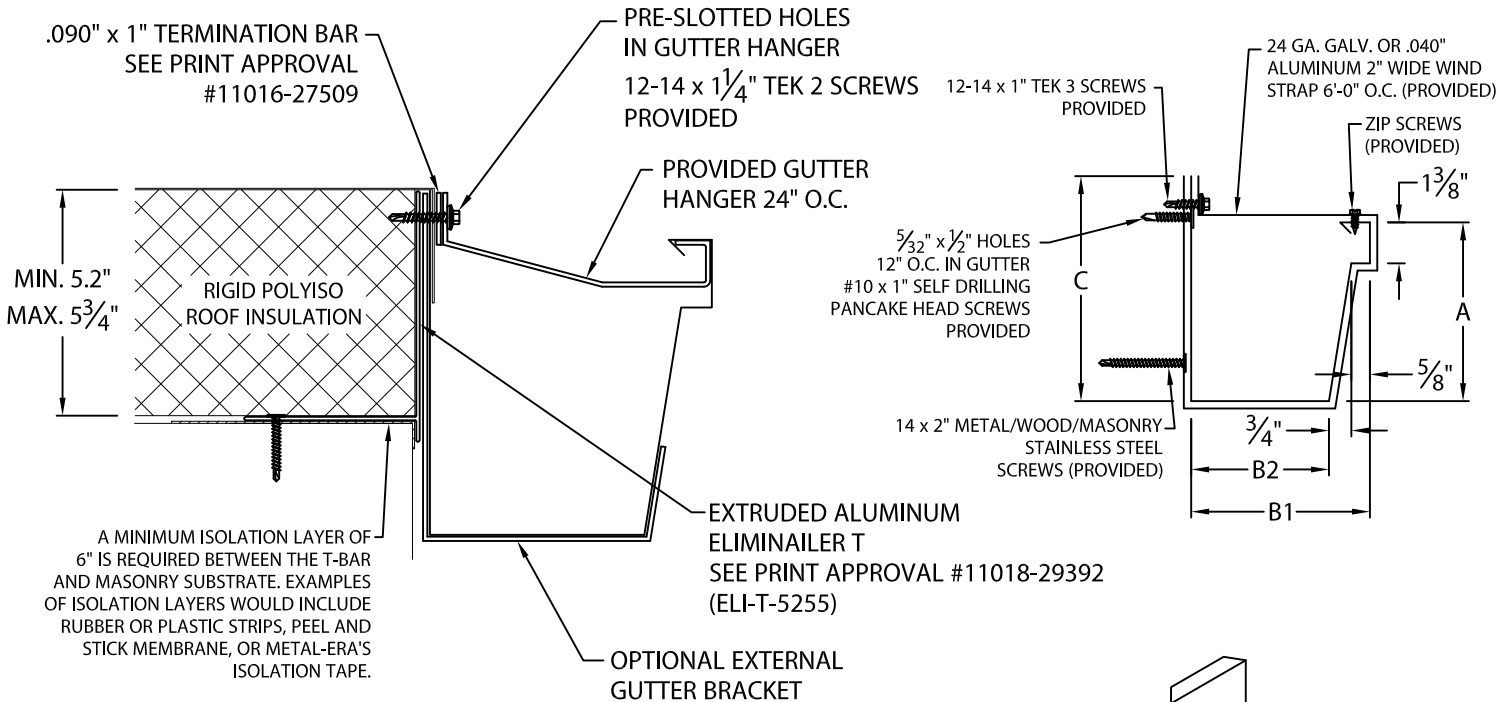


SEAL-TITE GOLD INDUSTRIAL GUTTER FOR USE WITH ELIMINAILER®-T

IGG-3 GUTTER, 5.2", 4" FLANGE ELIMINAILER VERSION

FOR USE WITH MASONRY WALL

U.S. PATENT # 9,878,023 B1



PRODUCT ID #	C	B1	B2	A
<input type="checkbox"/> T-IGG3-C8	8"	7"	5 5/8"	7"
<input type="checkbox"/> T-IGG3-C9	9"	8"	6 5/8"	8"

NOTES:

- MAXIMUM DOWNSPOUT DIMENSION NOT TO EXCEED "B2" MINUS 9/16".
- 6" WIDE SPLICE PLATES PROVIDED.
- 1/8" STAINLESS STEEL POP RIVETS PROVIDED.
- UNLESS OTHERWISE NOTED, FABRICATION OF MITERS ARE FURNISHED STANDARD UTILIZING A NON-PENETRATING QUICKLOCK JOINT, THEN FACTORY SEALED WATERTIGHT.
- WELDED ACCESSORIES REQUIRE A MINIMUM MATERIAL THICKNESS OF .050".

Fabrication will proceed only after receipt of signed print approval.

Print Approval:

Architect and/or contractor shall verify all dimensions, sizes and quantities. All products to be installed in strict accordance with Metal-Era's printed instructions.

Approved by: _____

Date: _____

MATERIAL:

- ___ 24 GA. GALVANIZED STEEL
- ___ .040" ALUMIINIUM COLOR: _____
- ___ .050" ALUMINUM FINISH: _____
- ___ .063" ALUMINUM
- ___ OTHER _____

QUANTITIES:

- _____ LINEAL FEET 12'-0" LENGTHS
 - _____ OUTSIDE MITERS @ 90°
 - _____ INSIDE MITERS @ 90°
 - _____ RIGHT ENDCAPS
 - _____ LEFT ENDCAPS
 - _____ EXPANSION JOINTS STYLE "1"
 - _____ EXPANSION JOINTS STYLE "2"
- SPECIFY MITER TYPE:
 WELDED
 QUICKLOCK

FOR NON-90 MITERS SEE PRINT APPROVAL #11012-10010

PROJECT:

ARCHITECT:

ROOFING CONTRACTOR:

REPRESENTATIVE/DISTRIBUTOR:

Corporate Offices, Manufacturing
 1600 Airport Road; Waukesha, WI 53188
 Phone: 800-558-2162
 Fax: 800-373-9156
 www.metalera.com

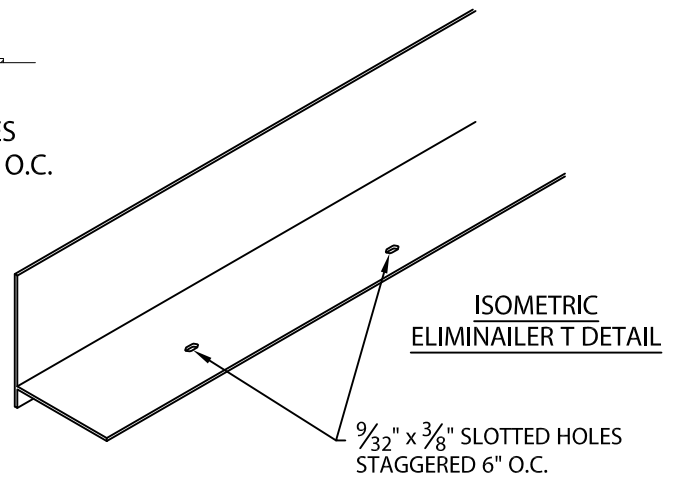
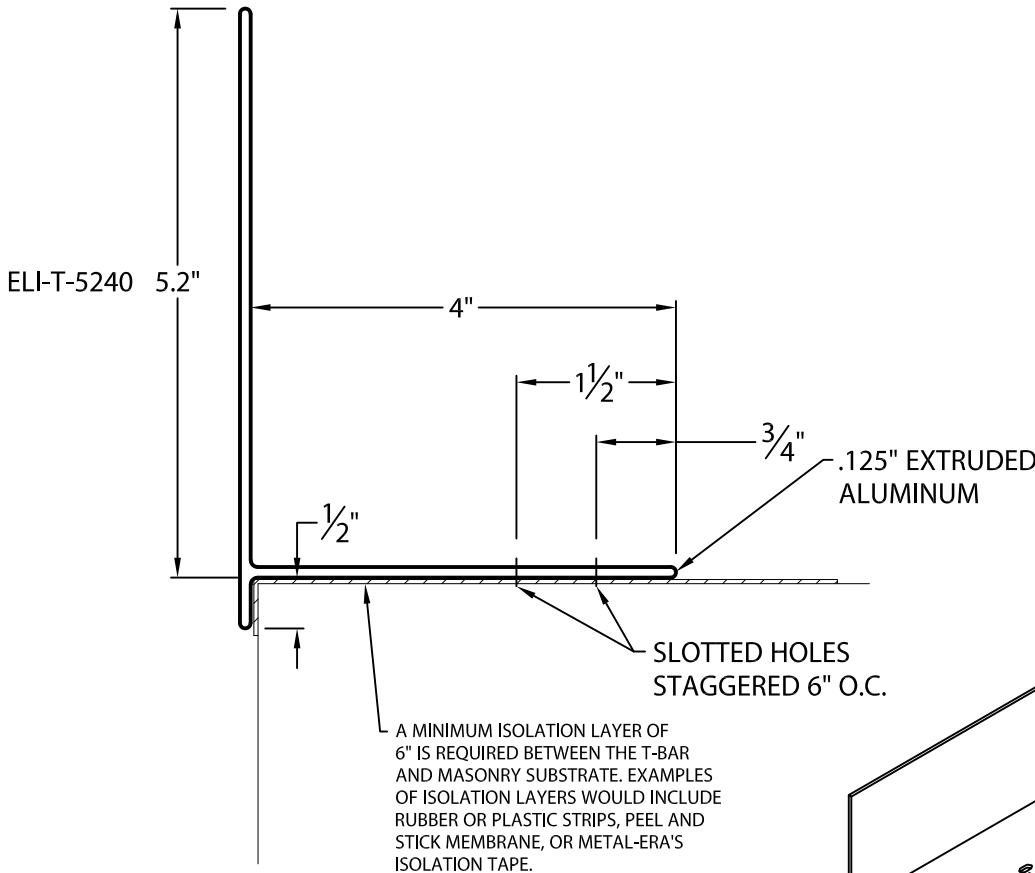


DATE: 05/22/19	SHT.# _____ OF _____
DRN BY: ZS	
CKD BY: JAI	DWG# 11012-29720 B

ELIMINAILER®-T

FOR USE WITH MASONRY WALL, 5.2", 4" FLANGE VERSION

U.S. PATENT # 9,878,023 B1



Fabrication will proceed only after receipt of signed print approval.

Print Approval:

Architect and/or contractor shall verify all dimensions, sizes and quantities. All products to be installed in strict accordance with Metal-Era's printed instructions.

Approved by: _____

Date: _____

PLEASE INDICATE SUBSTRATE (IF SUBSTRATE INFORMATION IS NOT GIVEN, CONCRETE WALL FASTENERS WILL BE PROVIDED)

- CONCRETE WALL (3000 PSI CONCRETE):
#14 x 1 1/4" FASTENERS PROVIDED
- CMU WALL (1500 PSI):
1/4" x 1 1/2" SPIKE FASTENERS PROVIDED

QUANTITIES:

_____ LINEAL FEET 12'-0" LENGTHS

_____ ROLLS ISOLATION TAPE 6" WIDE (180 FT PER ROLL)

PROJECT:

ARCHITECT:

ROOFING CONTRACTOR:

REPRESENTATIVE/DISTRIBUTOR:

Corporate Offices, Manufacturing
1600 Airport Road; Waukesha, WI 53188
Phone: 800-558-2162
Fax: 800-373-9156
www.metalera.com



DATE: 07/30/18

DRN BY: JJC

CKD BY: SAK

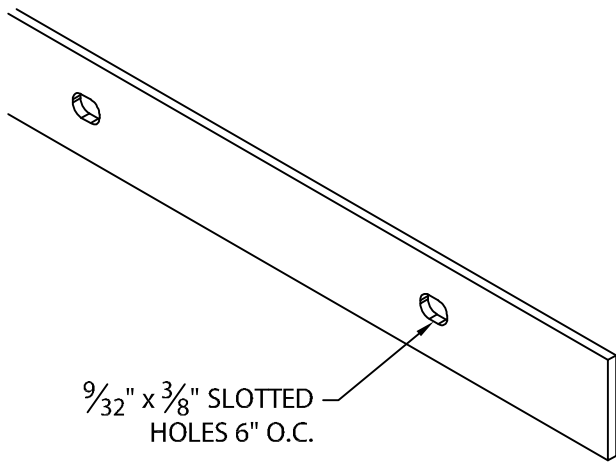
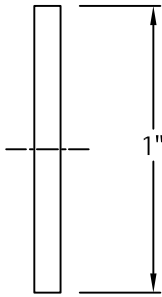
SHT.# ____ OF ____

DWG# 11018-29392

A

TERMINATION BAR

CB-90



Fabrication will proceed only after receipt of signed print approval.

Print Approval:

Architect and/or contractor shall verify all dimensions, sizes and quantities. All products to be installed in strict accordance with Metal-Era's printed instructions.

Approved by: _____

Date: _____

MATERIAL:

.090" ALUMINUM

QUANTITIES:

_____ LINEAL FEET 12'-0" LENGTHS

PROJECT:

ARCHITECT:

ROOFING CONTRACTOR:

REPRESENTATIVE/DISTRIBUTOR:

Corporate Offices, Manufacturing
 1600 Airport Road; Waukesha, WI 53188
 Phone: 800-558-2162
 Fax: 800-373-9156
 www.metalera.com



DATE: 11/09/17

DRN BY: JJC

CKD BY: SAK

SHT.# ____ OF ____

DWG# 11016-27509

A