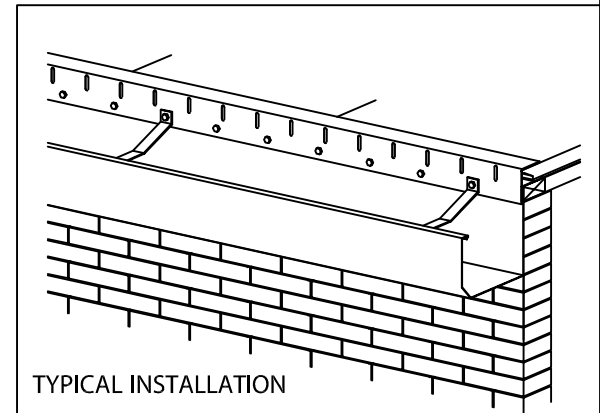
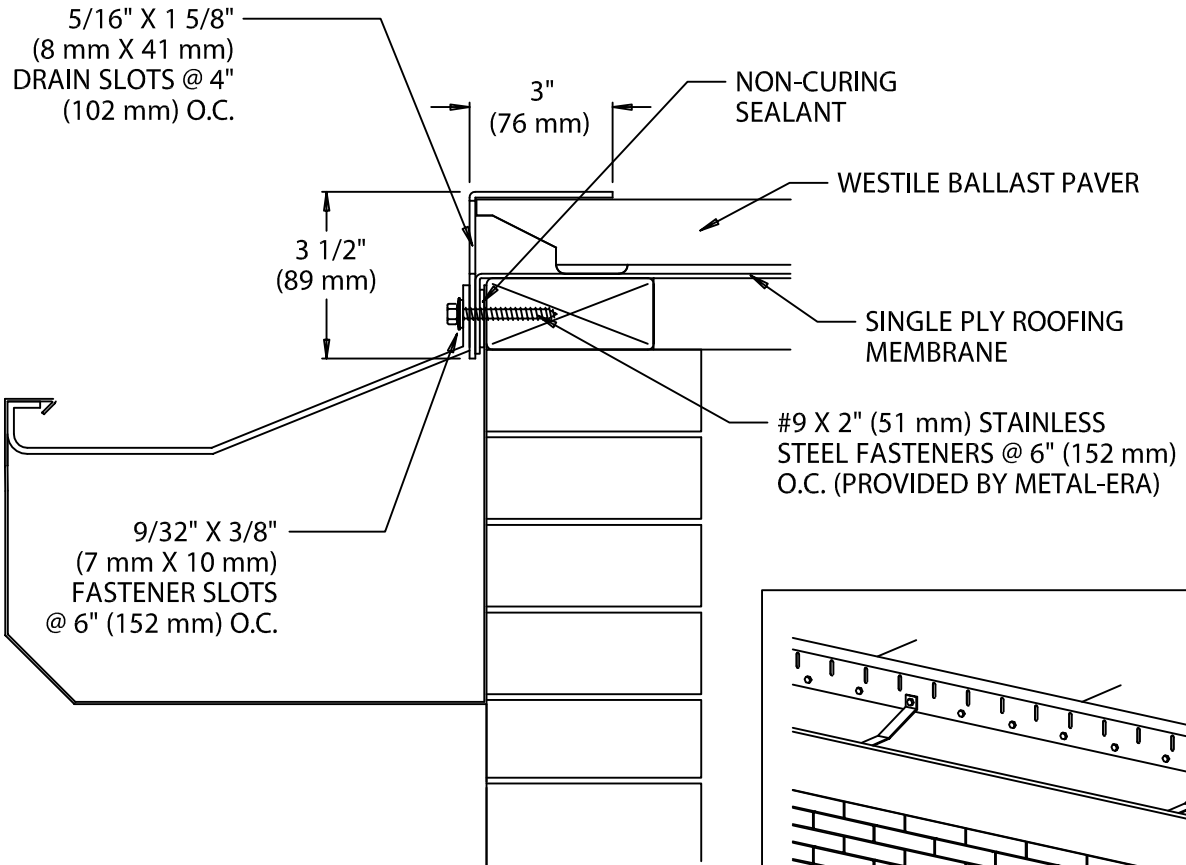


# ADW DRAIN BAR



NOTE: Treated wood nailers required.

Fabrication will proceed only after receipt of signed print approval.

## Print Approval:

Architect and/or contractor shall verify all dimensions, sizes and quantities. All products to be installed in strict accordance with Metal-Era's printed instructions.

Approved by: \_\_\_\_\_

Date: \_\_\_\_\_

## MATERIAL:

DRAIN BAR: 3003-H14 alloy mill finish aluminum .125" thick, pre-slotted for drainage and fastening.

## QUANTITIES:

\_\_\_\_\_ Lineal Feet (12'-0" (3.65 M) Lengths)

\_\_\_\_\_ Welded Outside Miters (90°)

\_\_\_\_\_ Welded Inside Miters (90°)

PROJECT:

ARCHITECT:

ROOFING CONTRACTOR:

REPRESENTATIVE/DISTRIBUTOR:

Corporate Offices, Manufacturing  
1600 Airport Road; Waukesha, WI 53188  
Phone: 800-558-2162  
Fax: 800-373-9156  
www.metalera.com



DATE: 09/13/05

DRN BY: JJC

CKD BY: SAK

SHT.# \_\_\_\_ OF \_\_\_\_

DWG# 11016-1519

B