



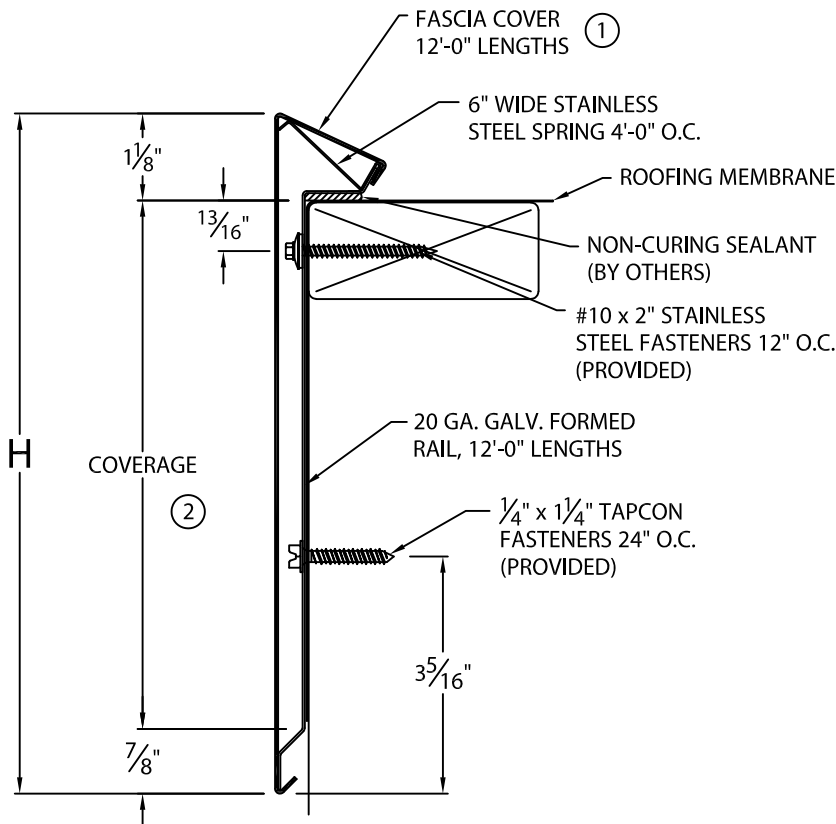
ONE EDGE EXTENDED

FULLY ADHERED OR MECHANICALLY ATTACHED SINGLE-PLY VERSION

ANSI/SPRI ES-1 DESIGN PRESSURE OF 146 psf

.050 AND .063" COVER MATERIAL

U.S. Patent # 5,927,023



NOTES:

- ① FASCIA COVER PROVIDED WITH 3 1/2" WIDE SPLICE PLATES.
- ② FACE = COVERAGE (SHOULD EXTEND A MIN. OF 1" BELOW WATERPROOFING MEMBRANE) + 2".

MATERIAL:

___ .050" ALUMINUM
 ___ .063" ALUMINUM
 ___ OTHER _____

COLOR: _____

FINISH: _____

QUANTITIES:

_____ LINEAL FEET 12'-0" LENGTHS
 _____ OUTSIDE MITERS (COVER ONLY) @ 90°
 _____ INSIDE MITERS (COVER ONLY) @ 90°
 FOR NON-90 MITERS SEE PRINT APPROVAL #11010-1103

FASCIA DIMENSIONS

PRODUCT ID. NO.	H DIM	COVERAGE
<input type="checkbox"/> ESE-S95	9 1/2"	7 1/2"
<input type="checkbox"/> ESE-S110	11"	9"
<input type="checkbox"/> ESE-S125	12 1/2"	10 1/2"

Fabrication will proceed only after receipt of signed print approval.

Print Approval:

Architect and/or contractor shall verify all dimensions, sizes and quantities. All products to be installed in strict accordance with Metal-Era's printed instructions.

Approved by: _____

Date: _____

PROJECT:

ARCHITECT:

ROOFING CONTRACTOR:

REPRESENTATIVE/DISTRIBUTOR:

Corporate Offices, Manufacturing
 1600 Airport Road; Waukesha, WI 53188
 Phone: 800-558-2162
 Fax: 800-373-9156
 www.metalera.com



DATE: 01/15/20

DRN BY: JJC

CKD BY: SAK

SHT.# ___ OF ___

DWG# 24010-11309 M