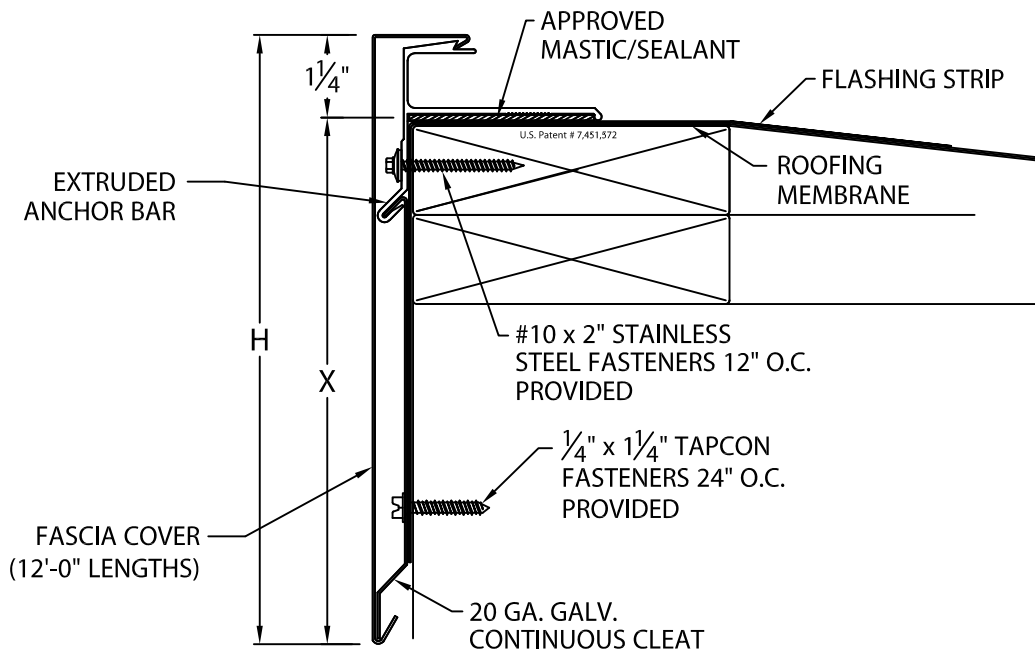




# ANCHOR-TITE EXTENDED FASCIA

BUILT-UP OR MODIFIED VERSION

ANSI/SPRI ES-1 DESIGN PRESSURE OF 176 psf



NOTE: 3/2" SPLICE PLATES PROVIDED AT ALL JOINTS

## ANCHOR-TITE EXTENDED FASCIA DIMENSIONS

PRODUCT ID. NO.	H DIM	X DIM
<input type="checkbox"/> AEFM-85	8 1/2"	7 1/4"
<input type="checkbox"/> AEFM-100	10"	8 3/4"
<input type="checkbox"/> AEFM-115	11 1/2"	10 1/4"
<input type="checkbox"/> AEFM-130	13"	11 3/4"

## MATERIAL:

\_\_\_ 22 GA. GALV. STEEL    \_\_\_ .063" ALUMINUM

\_\_\_ .050" ALUMINUM    \_\_\_ OTHER \_\_\_\_\_

COLOR: \_\_\_\_\_ FINISH: \_\_\_\_\_

Fabrication will proceed only after receipt of signed print approval.

## Print Approval:

Architect and/or contractor shall verify all dimensions, sizes and quantities. All products to be installed in strict accordance with Metal-Era's printed instructions.

Approved by: \_\_\_\_\_

Date: \_\_\_\_\_

## QUANTITIES:

\_\_\_\_\_ LINEAL FEET 12'-0" LENGTHS

\_\_\_\_\_ OUTSIDE MITER(S) @ 90°

\_\_\_\_\_ INSIDE MITER(S) @ 90°

\_\_\_\_\_ OVERFLOW SCUPPER(S)    STYLE \_\_\_A\_\_\_B

\_\_\_\_\_ SPILLOUT SCUPPER(S)    STYLE \_\_\_A\_\_\_B

\_\_\_\_\_ DOWNSPOUT SCUPPER(S)    STYLE \_\_\_A\_\_\_B

( \_\_\_\_\_X\_\_\_\_\_ ) SIZE    A: TAPERED 1 1/2" DROP  
B: FLAT

FOR NON-90 MITERS SEE PRINT APPROVAL #11010-1103

PROJECT:

ARCHITECT:

ROOFING CONTRACTOR:

REPRESENTATIVE/DISTRIBUTOR:

Corporate Offices, Manufacturing  
1600 Airport Road; Waukesha, WI 53188  
Phone: 800-558-2162  
Fax: 800-373-9156  
www.metalera.com



DATE: 02/04/19

DRN BY: JJC

CKD BY: SAK

SHT.# \_\_\_ OF \_\_\_

DWG# 11010-1158