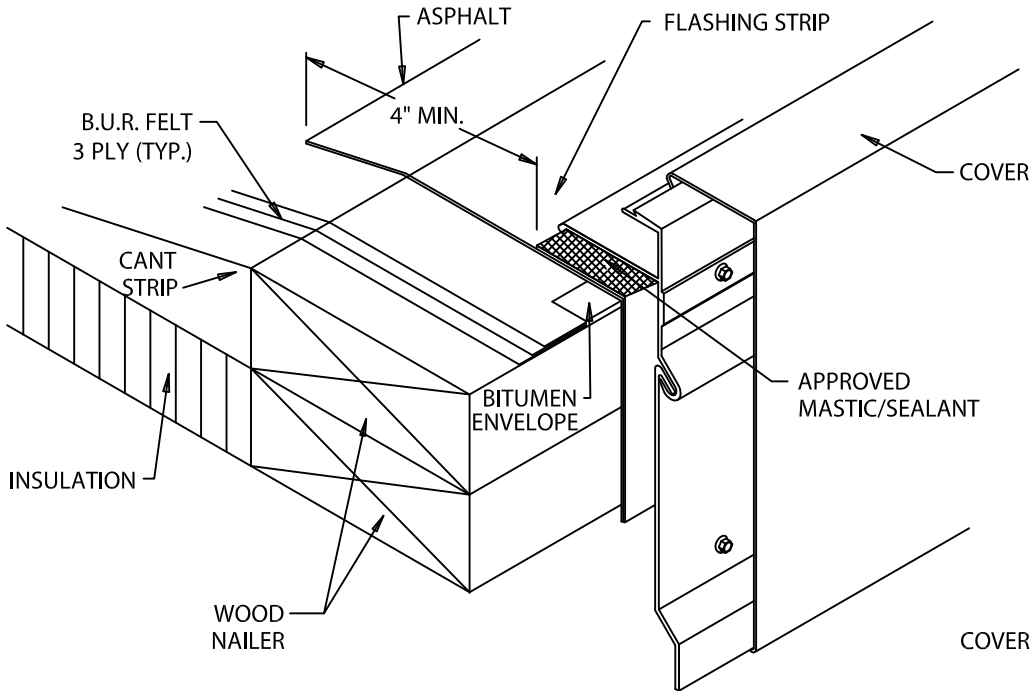




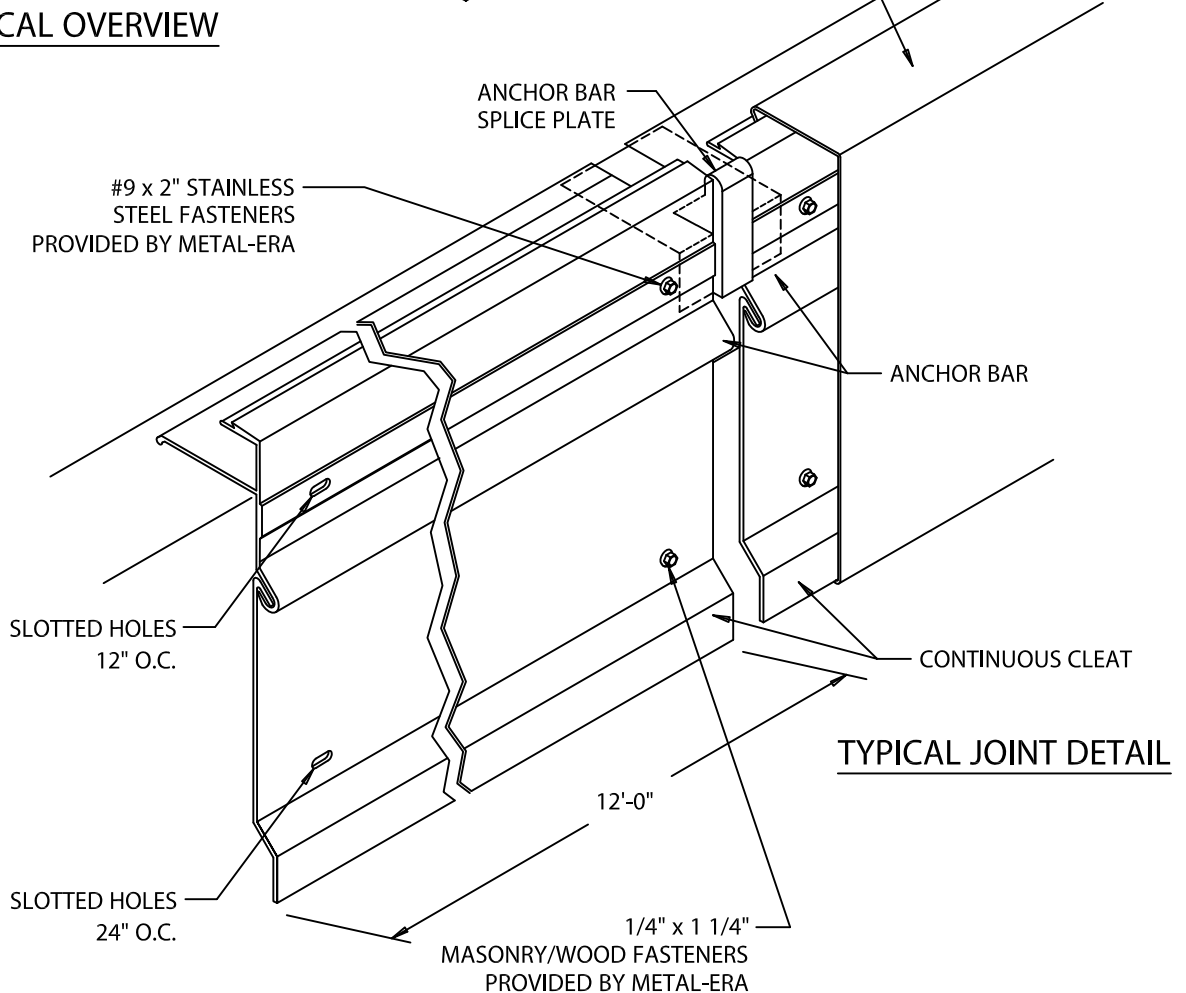
ANCHOR-TITE EXTENDED FASCIA

BUILT-UP VERSION

DETAILS



TYPICAL OVERVIEW



TYPICAL JOINT DETAIL



Phone: 800-558-2162
 Fax: 800-373-9156
 www.metalera.com

DATE: 03/15/17
 DRN BY: JAB
 CKD BY: SAK

SHT.# ___ OF ___
 DWG# 11510-6330

C