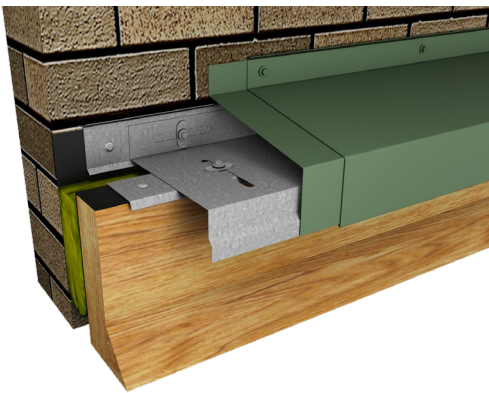


THERMAL MOVEMENT & CONDENSATION CONTROL ON THE ROOF

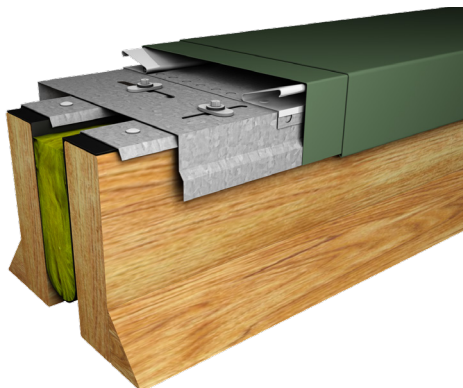
Perma-Tite® Expansion Joints complement your building's natural aesthetics, with no exposed fasteners or unsightly cover plates to detract from the look. Perma-Tite Expansion Joints are ideal for allowing thermal movement and condensation control between two roof systems or roof and terminating wall.

The Expansion Joint prevents condensation by insulating against internal building temperatures.

The continuous cleat protects the Perma-Tite Expansion Joint from wind-driven rain. Metal-Era also offers expansion joints with the 3-axis movement that allows for vertical motion for live loads with no loss of thermal or seismic motion. This carefully engineered product ensures long-lasting quality and high performance.



Roof to Wall
Version



Roof to Roof
Version

EXPANSION JOINTS AT-A-GLANCE

20 Year, 120 MPH Wind Warranty

Variety of Colors, Sizes & Materials

No Exposed Fasteners or
Unsightly Cover Plates

Continuous Cleat Protects Joint
from Wind-Driven Rain

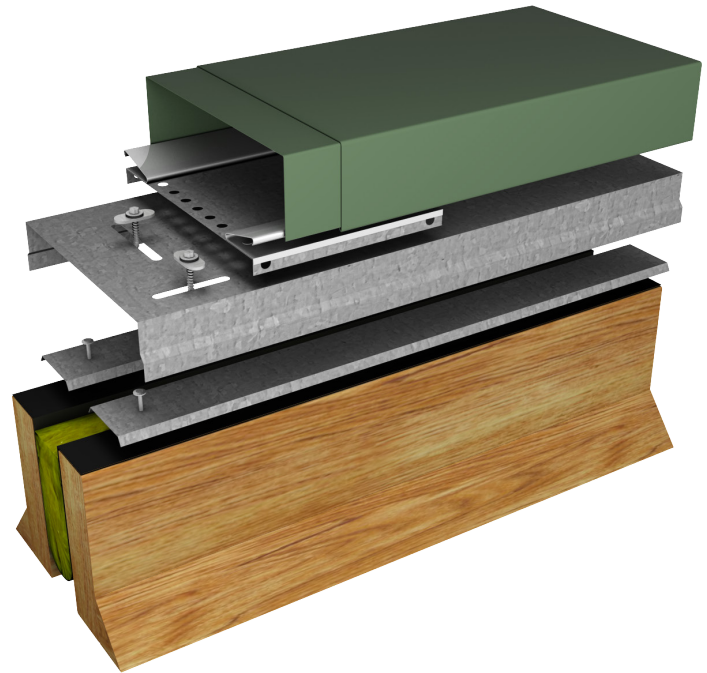
Easy Install = Decreased Labor Costs

VERSIONS

- Roof to Roof
- 3-Axis Roof to Roof
- Roof to Wall
- 3-Axis Roof to Wall

COVER MATERIALS

- 24 ga. Steel
- .050" Aluminum
- .040" Aluminum
- .063" Aluminum



EXPRESS COLORS AVAILABLE FOR QUICK SHIPPING

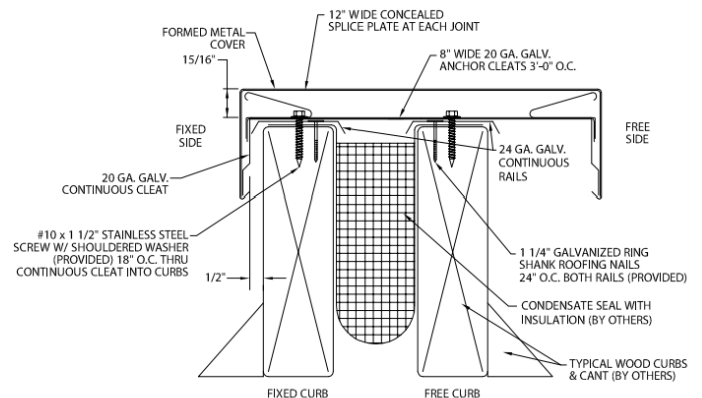
Express, standard, and premium colors and finishes are available to meet your job requirements and includes a 30-year Kynar 500® finish warranty on coil-coated standard colors. Custom colors are also available. For the most accurate color representation, contact us to request a paint chip.



All colors are also available in Mill Finish.

EASY, EFFICIENT INSTALLATION

- Provided in 12'-0" lengths for quicker installation and lower labor costs
- Pre-punched fastening holes to ensure proper attachment to building substrate



Typical Installation
Roof to Roof Version