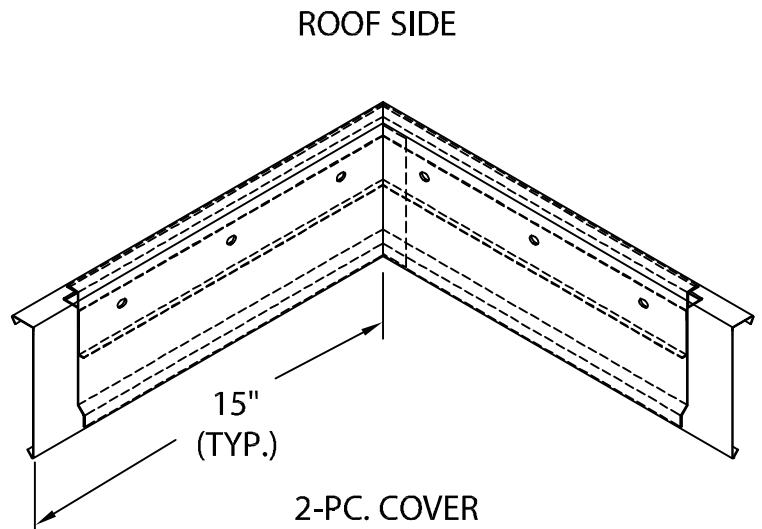
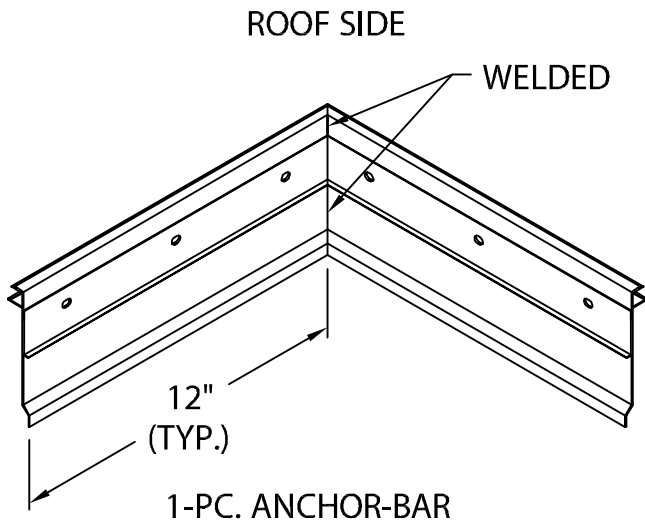


ANCHOR-TITE HG FASCIA

FULLY ADHERED OR MECHANICALLY ATTACHED SINGLE-PLY VERSION

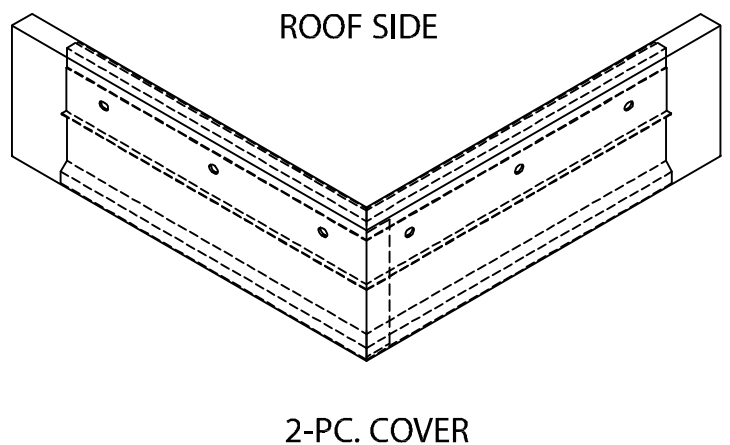
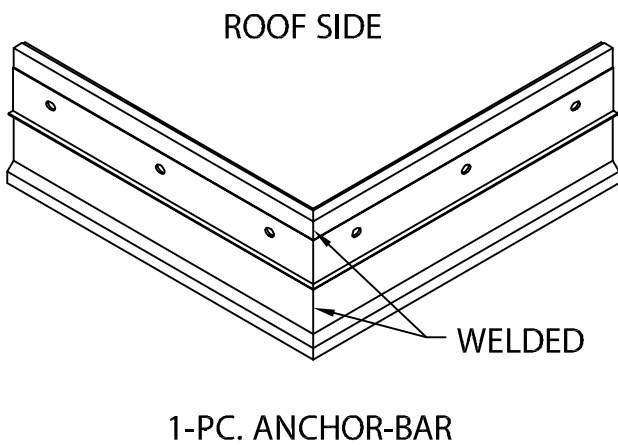
MITERS - FACTORY WELDED CONSTRUCTION

INSIDE MITER



FASTENERS INCLUDED

OUTSIDE MITER



NOTE: WOOD NAILERS REQUIRED.

| | |
|-----------------------------|---|
| PROJECT: | Corporate Offices, Manufacturing 1600 Airport Road; Waukesha, WI 53188 Phone: 800-558-2162 Fax: 800-373-9156 www.metalera.com |
| ARCHITECT: | |
| ROOFING CONTRACTOR: | |
| REPRESENTATIVE/DISTRIBUTOR: | |



| | |
|----------------|--------------------|
| DATE: 10/05/17 | SHT.# ____ OF ____ |
| DRN BY: JJC | DWG# 11510-5481 |
| CKD BY: SAK | |