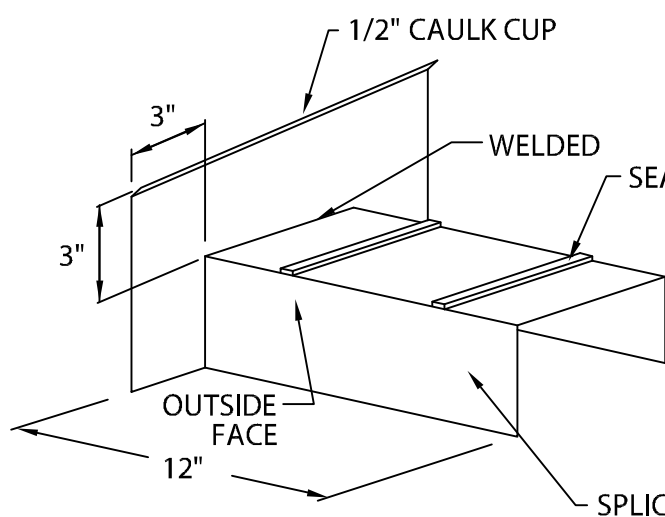
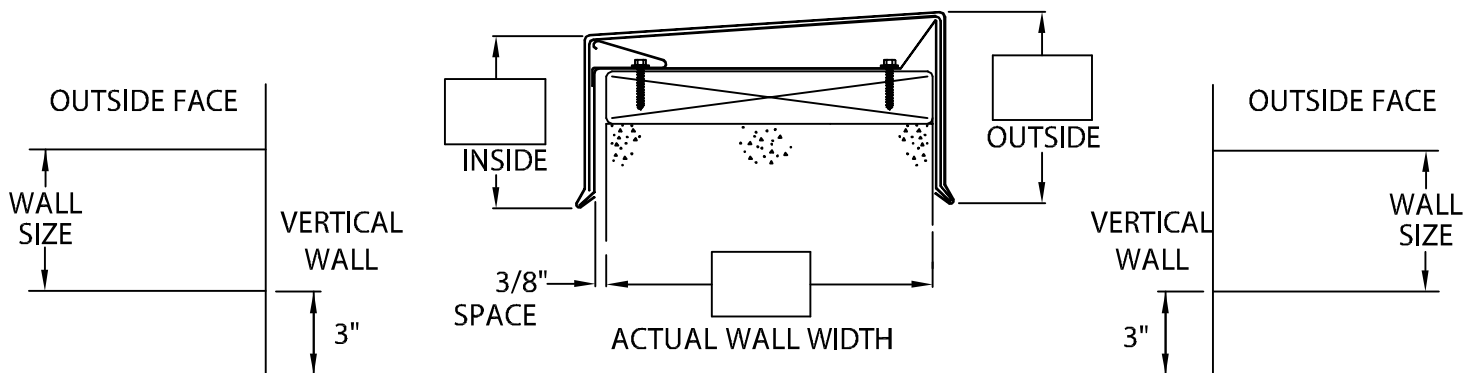
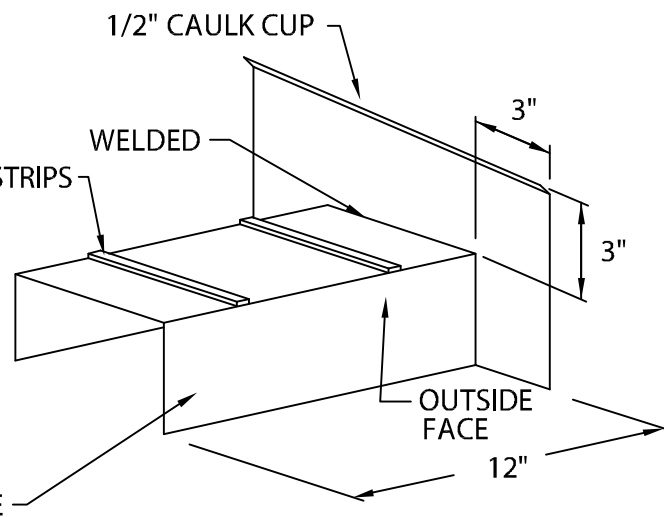


ENDWALL FLASHING

SPLICE PLATE VERSION



RIGHT END



LEFT END

DIRECTION IS DETERMINED AS SEEN FROM ROOF SIDE

MATERIAL:

.040" ALUMINUM

COLOR: _____

FINISH: _____

QUANTITIES:

_____ RIGHT END FLASHING

_____ LEFT END FLASHING

AUTHORIZED SIGNATURE:

APPROVED BY: _____

DATE: _____

PROJECT:

ARCHITECT:

ROOFING CONTRACTOR:

REPRESENTATIVE/DISTRIBUTOR:

CORPORATE OFFICES, MANUFACTURING
1600 AIRPORT ROAD; WAUKESHA, WI 53188
PHONE: 800-558-2162
FAX: 800-373-9156
WEBSITE: WWW.METALERA.COM
EMAIL: QUOTE@METALERA.COM



DATE: 03/05/13

DRN BY: JJC

CKD BY: SAK

SHT.# _____ OF _____

DWG# 11011-1496

D