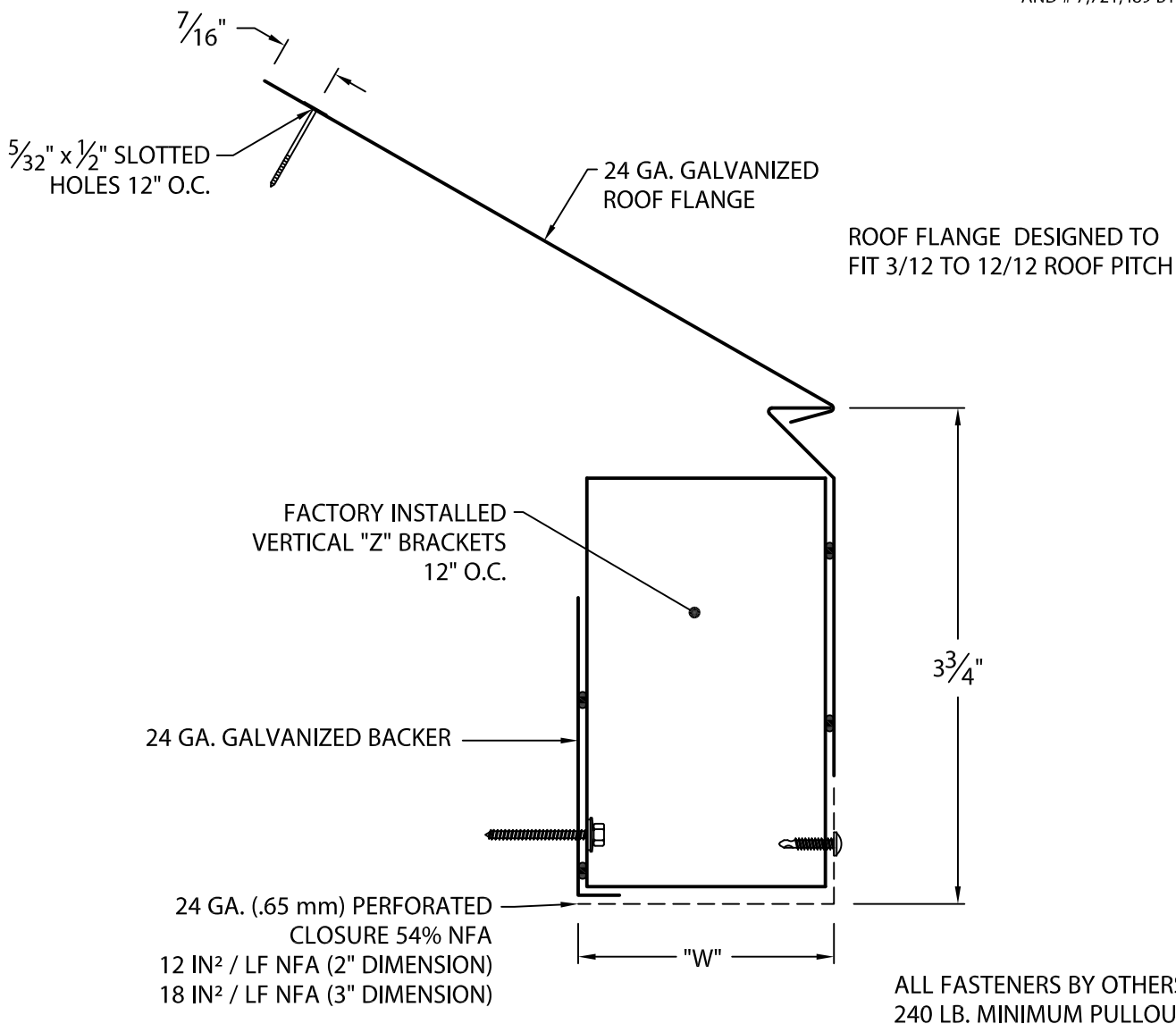


REFERENCE DETAIL:

ECO-PERF VENTED FASCIA

FOR VENTED NAILBASE AND ATTIC VENTED APPLICATIONS

U.S. PATENT # 8,069,619 B1
AND # 7,721,489 B1



ECO-PERF VENTED FASCIA IS TO BE INSTALLED PER SPECIFICATIONS AND METAL-ERA'S INSTALLATION INSTRUCTIONS DWG #31127-14647

Fabrication will proceed only after receipt of signed print approval.

Print Approval:

Architect and/or contractor shall verify all dimensions, sizes and quantities. All products to be installed in strict accordance with Metal-Era's printed instructions.

Approved by: _____

Date: _____

ECO-PERF VENTED FASCIA DIMENSIONS (IN STOCK FOR EXPRESS SHIPMENT)

"W" DIMENSION:

- 2" 12 IN² / LF NFA
- 3" 18 IN² / LF NFA

PERFORATED CLOSURE:

- 24 GA. BONE WHITE
- 24 GA. DARK BRONZE

QUANTITIES:

- _____ LINEAL FEET 12'-0" LENGTHS
- _____ OUTSIDE 90° MITER INSERT(S)
- _____ ENDCAP PLUG(S) (COLOR TO MATCH PERFORATED CLOSURE)

PROJECT:

ARCHITECT:

CONTRACTOR:

REPRESENTATIVE:



Phone: 800-558-2162
Fax: 800-770-3934
www.metalera.com

DATE: 03/04/20

DRN BY: JJC

CKD BY: JAI

SHT.# ____ OF ____

DWG# 31027-14623

G