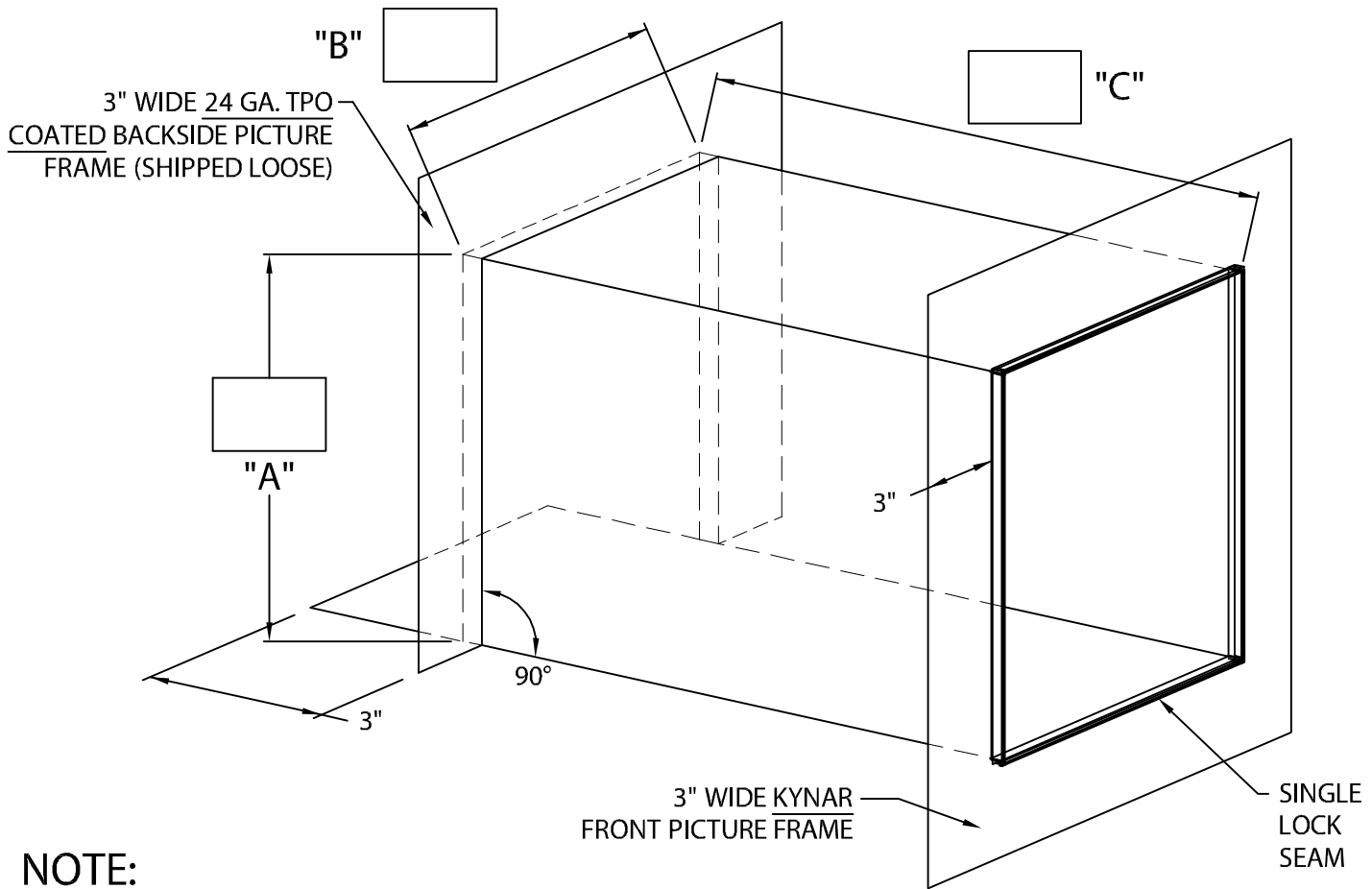


CUSTOM THRU-WALL SCUPPER

NOTE: 24 GA. BOX/BACKSIDE PICTURE FRAME IS 24 GA. TPO COATED METAL. FRONT PICTURE FRAME IS KYNAR



NOTE:
INSIDE OF TUBE IS 24 GA. TPO COATED METAL

Fabrication will proceed only after receipt of signed print approval.

Print Approval:

Architect and/or contractor shall verify all dimensions, sizes and quantities. All products to be installed in strict accordance with Metal-Era's printed instructions.

Approved by: _____

Date: _____

MATERIAL FOR FRONT PICTURE FRAME:

___ 24 GA. GALVANIZED STEEL

___ .040" ALUMINUM COLOR: _____

___ .050" ALUMINUM FINISH: _____

MEMBRANE:

SPECIFY MEMBRANE MANUFACTURER:

QUANTITIES:

_____ AMOUNT REQUIRED

PROJECT:

ARCHITECT:

ROOFING CONTRACTOR:

REPRESENTATIVE/DISTRIBUTOR:

Corporate Offices, Manufacturing
1600 Airport Road; Waukesha, WI 53188
Phone: 800-558-2162
Fax: 800-373-9156
www.metalera.com



DATE: 09/16/16

DRN BY: JJC

CKD BY: SAK

SHT.# ____ OF ____

DWG# 11318-19707

C