



# PERMA-TITE QUICKLOCK RADIUS COPING

TAPERED VERSION

TO BE USED WITH CONTINUOUS CLEAT COPING

**IMPORTANT!!!** MUST INDICATE PROPER RADIUS CONDITION BY CIRCLING APPROPRIATE OUTSIDE FACE

### PROVIDING A RADIUS

THE RADIUS MAY BE PROVIDED IN ONE OF TWO METHODS:

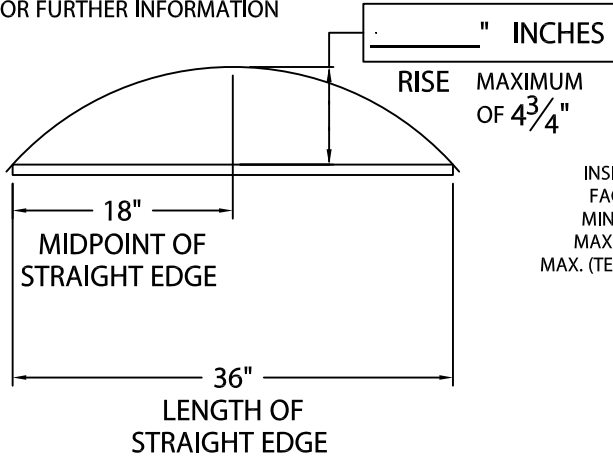
1.) THE ACTUAL KNOWN RADIUS IS

       ' FEET        " INCHES    MINIMUM OF 3'-0"

OR

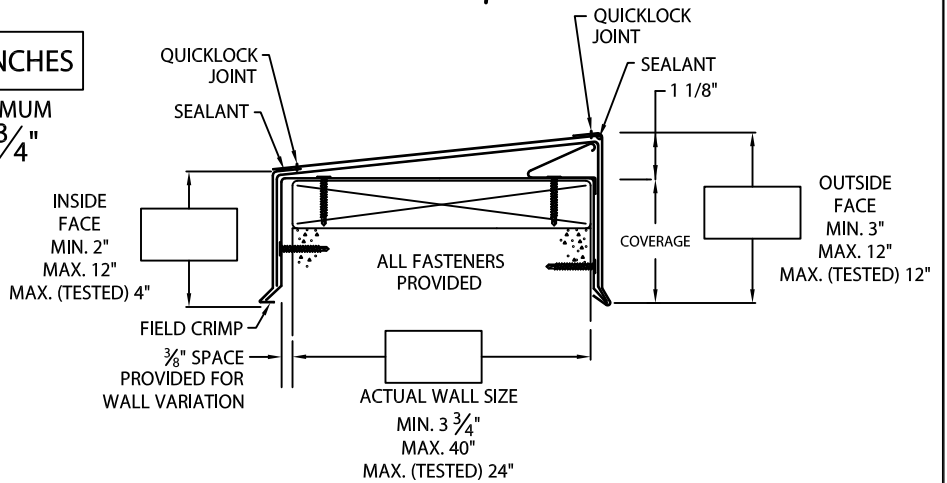
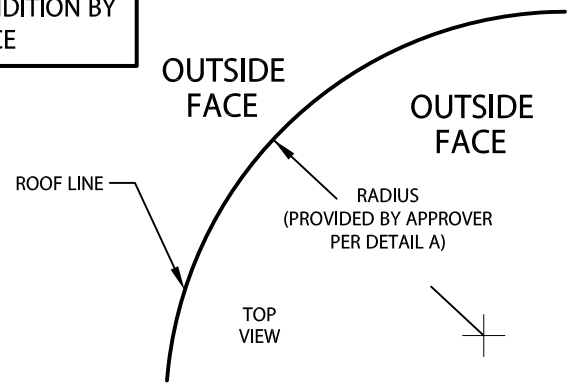
2.) FIELD CONDITION MEASUREMENTS

NOTE: REFER TO ATTACHED WORKSHEET FOR FURTHER INFORMATION



NOTE: CHECK MEASUREMENTS ALONG ENTIRE RADIUS.

DETAIL A



PLEASE SPECIFY SUBSTRATE: (IF SUBSTRATE INFORMATION IS NOT GIVEN, WOOD SUBSTRATE FASTENERS WILL BE PROVIDED)

WOOD  
 MASONRY  
 METAL

**NOTES:** -- CONCEALED SPLICE PLATES ARE PROVIDED WITH FACTORY APPLIED DUAL NON-CURING SEALANT STRIPS.  
 -- FABRICATION OF RADIUS IS FURNISHED UTILIZING NON-PENETRATING QUICKLOCK JOINT, THEN FACTORY SEALED WATERTIGHT

### MATERIAL:

\_\_\_ 24 GA. GALVANIZED STEEL      \_\_\_ .050" ALUMINUM  
 \_\_\_ 22 GA. GALVANIZED STEEL      \_\_\_ .063" ALUMINUM  
 \_\_\_ .040" ALUMINUM                      \_\_\_ OTHER \_\_\_\_\_  
 COLOR: \_\_\_\_\_ FINISH: \_\_\_\_\_

### QUANTITIES:

\_\_\_\_\_ LINEAL FEET 4'-0" LENGTHS

Fabrication will proceed only after receipt of signed print approval.

## Print Approval:

Architect and/or contractor shall verify all dimensions, sizes and quantities. All products to be installed in strict accordance with Metal-Era's printed instructions.

Approved by: \_\_\_\_\_

Date: \_\_\_\_\_

PROJECT:

ARCHITECT:

ROOFING CONTRACTOR:

REPRESENTATIVE/DISTRIBUTOR:

Corporate Offices, Manufacturing  
 1600 Airport Road; Waukesha, WI 53188  
 Phone: 800-558-2162  
 Fax: 800-373-9156  
 www.metalera.com



DATE: 08/03/23

DRN BY: MLM

CKD BY: MM

SHT.# \_\_\_ OF \_\_\_

DWG# 11011-39054

