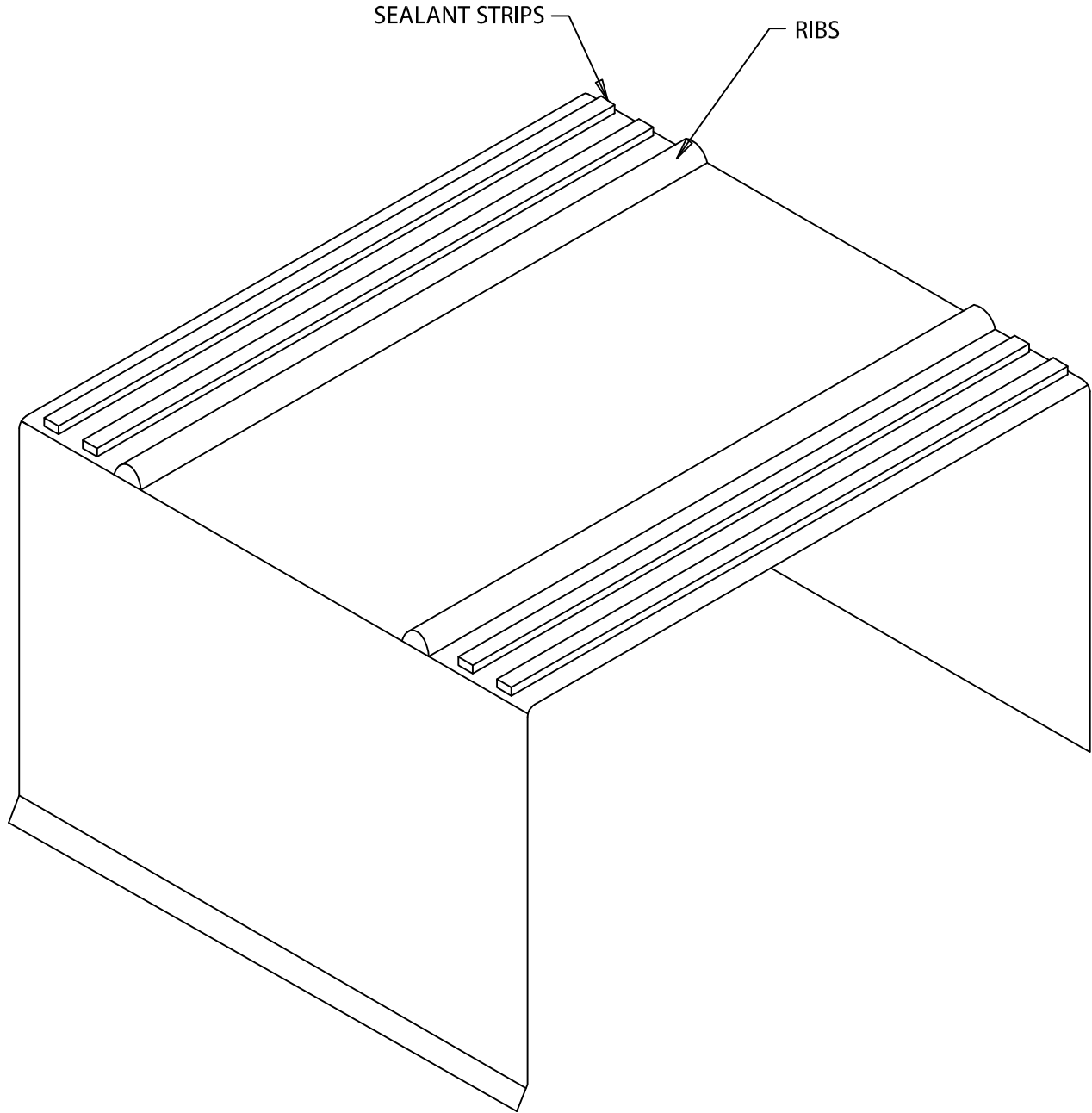


DESIGNER LEAK-TITE COPING

SPLICE PLATE DETAIL



PROJECT:

ARCHITECT:

ROOFING CONTRACTOR:

REPRESENTATIVE/DISTRIBUTOR:

Corporate Offices, Manufacturing
1600 Airport Road; Waukesha, WI 53188
Phone: 800-558-2162
Fax: 800-373-9156
www.metalera.com



DATE: 01/26/07

DRN BY: JJC

CKD BY: SAK

SHT.# ____ OF ____

DWG# 11511-5299

B