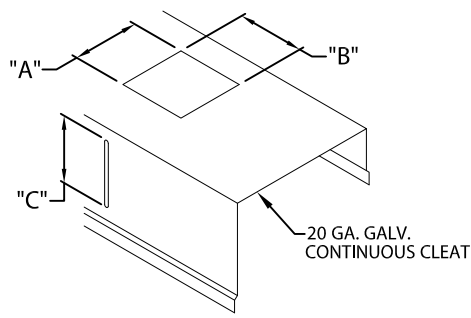


PERMA-TITE EXPANSION JOINT

ROOF TO ROOF VERSION, WITH 3 AXIS MOVEMENT



DETAIL VIEW OF 3 AXIS MOVEMENT

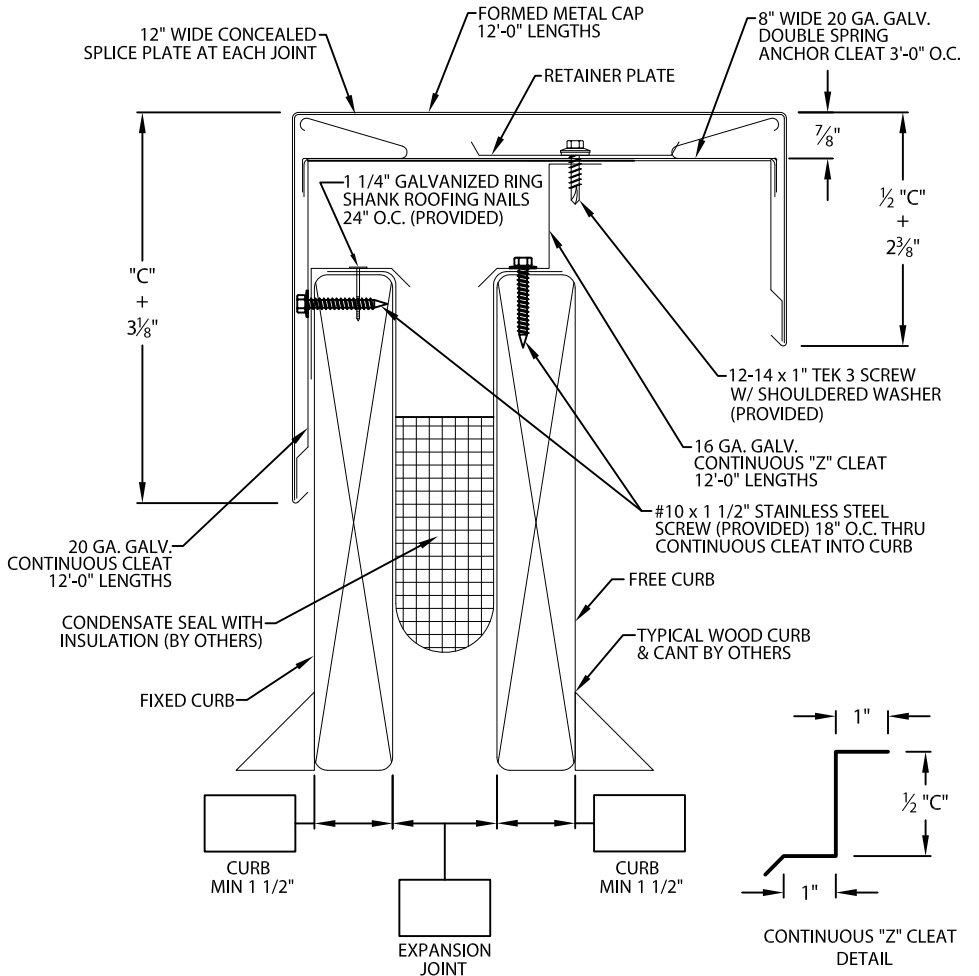
TOTAL EXPECTED MOVEMENT

IN AND OUT (LATERAL) "A"

SIDE TO SIDE (LINEAL) "B"

UP AND DOWN (VERTICAL) "C"

NOTE:
FACE HEIGHTS AND OVERALL WIDTH
DETERMINED BY METAL-ERA BASED UPON
DIMENSIONS GIVEN FOR TOTAL EXPECTED
MOVEMENT.



-- WELDED MITERS AND ACCESSORIES
CHECK ONE REQUIRED (SURCHARGE) NOT APPLICABLE

-- CONCEALED SPLICE PLATES ARE PROVIDED WITH FACTORY APPLIED
DUAL NON-CURING SEALANT STRIPS.

-- UNLESS OTHERWISE NOTED, FABRICATION OF MITERS AND ACCESSORIES
ARE FURNISHED STANDARD UTILIZING A NON-PENETRATING QUICKLOCK
JOINT, THEN FACTORY SEALED WATERTIGHT.

Fabrication will proceed only after receipt of
signed print approval.

Print Approval:

Architect and/or contractor shall verify all
dimensions, sizes and quantities. All
products to be installed in strict accordance
with Metal-Era's printed instructions.

Approved by: _____

Date: _____

MATERIAL:

___ 24 GA. GALV. STEEL ___ .050" ALUMINUM
___ .040" ALUMINIUM ___ .063" ALUMINUM
___ OTHER _____

COLOR: _____ FINISH: _____

QUANTITIES:

_____ LINEAL FEET 12'-0" LENGTHS
_____ OUTSIDE MITER(S) @ (_____)°
_____ INSIDE MITER(S) @ (_____)°
_____ RIGHT HAND ENDCAP INSERT(S)*
_____ LEFT HAND ENDCAP INSERT(S)*

* AS VIEWED FACING THE FIXED CURB

PROJECT:

ARCHITECT:

ROOFING CONTRACTOR:

REPRESENTATIVE/DISTRIBUTOR:

Corporate Offices, Manufacturing
1600 Airport Road; Waukesha, WI 53188
Phone: 800-558-2162
Fax: 800-373-9156
www.metalera.com



DATE: 01/22/20

DRN BY: ZS

CKD BY: JAI

SHT.# _____ OF _____

DWG# 11028-33256

A