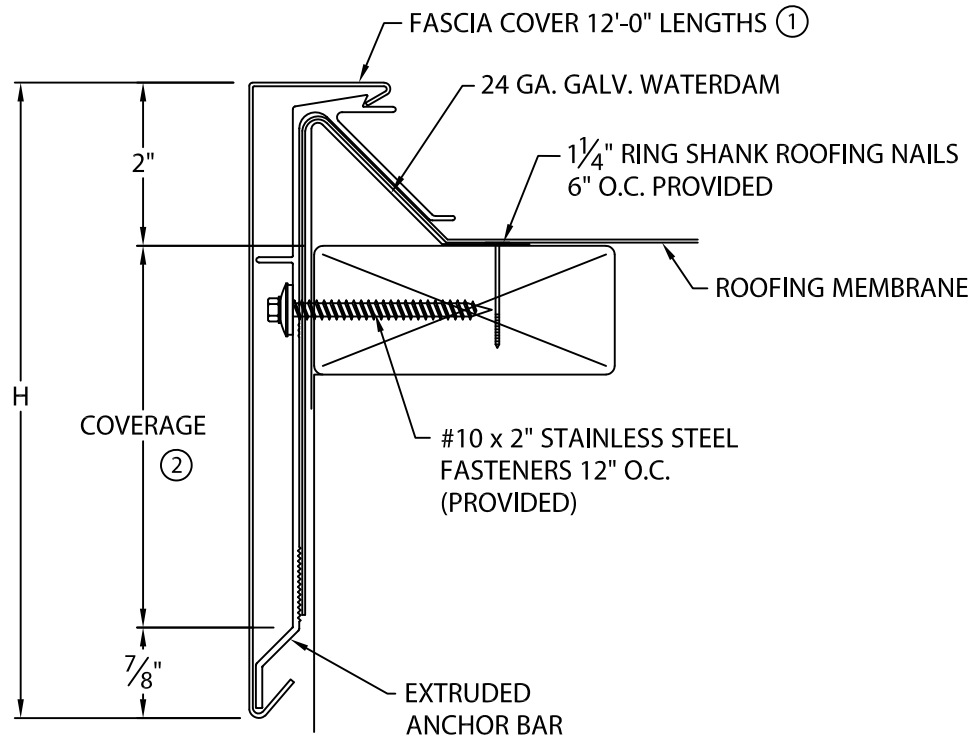




# ANCHOR-TITE CANTED FASCIA

GALVANIZED WATERDAM VERSION

ANSI/SPRI ES-1 TESTED



- NOTES:**
- ① FASCIA COVER PROVIDED WITH 3½" WIDE SPLICE PLATES.
  - ② TYPICALLY COVERAGE SHOULD EXTEND A MIN. OF 1½" BELOW WOOD BLOCKING IF APPLICABLE.
  - ③ NOT AVAILABLE IN 24 GA. GALV. STEEL OR .040" ALUMINUM.
  - ④ EXTRUDED BAR VARIES IN DESIGN AT LOWER KICK.

## ANCHOR-TITE CANTED FASCIA DIMENSIONS

PRODUCT ID. NO.	H DIM	COVERAGE
<input type="checkbox"/> AEFC-552 ④	5½"	2⅝"
<input type="checkbox"/> AEFC-752	7½"	4⅝"
<input type="checkbox"/> AEFC-852	8½"	5⅝"
<input type="checkbox"/> AEFC-1002 ③	10"	7⅞"

Fabrication will proceed only after receipt of signed print approval.

### Print Approval:

Architect and/or contractor shall verify all dimensions, sizes and quantities. All products to be installed in strict accordance with Metal-Era's printed instructions.

Approved by: \_\_\_\_\_

Date: \_\_\_\_\_

## MATERIAL:

24 GA. GALVANIZED STEEL      COLOR: \_\_\_\_\_  
 22 GA. GALVANIZED STEEL      FINISH: \_\_\_\_\_  
 .040" ALUMINUM  
 .050" ALUMINUM  
 .063" ALUMINUM  
 OTHER \_\_\_\_\_

## QUANTITIES:

\_\_\_\_\_ LINEAL FEET 12'-0" LENGTHS  
 \_\_\_\_\_ OUTSIDE MITER(S) @ 90°  
 \_\_\_\_\_ INSIDE MITER(S) @ 90°  
 \_\_\_\_\_ OVERFLOW SCUPPER(S)    STYLE \_\_\_A\_\_\_B  
 \_\_\_\_\_ SPILLOUT SCUPPER(S)    STYLE \_\_\_A\_\_\_B  
 \_\_\_\_\_ DOWNSPOUT SCUPPER(S)    STYLE \_\_\_A\_\_\_B  
 (\_\_\_\_x\_\_\_\_) DOWNSPOUT SIZE      A: TAPERED 1 1/2" DROP    B: FLAT  
 FOR NON-90 MITERS SEE PRINT APPROVAL #11010-1103

**PROJECT:** \_\_\_\_\_  
**ARCHITECT:** \_\_\_\_\_  
**ROOFING CONTRACTOR:** \_\_\_\_\_  
**REPRESENTATIVE/DISTRIBUTOR:** \_\_\_\_\_

Corporate Offices, Manufacturing  
 1600 Airport Road; Waukesha, WI 53188  
 Phone: 800-558-2162  
 Fax: 800-373-9156  
 www.metalera.com



DATE: 01/28/20      SHT.# \_\_\_\_ OF \_\_\_\_  
 DRN BY: JJC  
 CKD BY: JAI      DWG# 11010-1180      ○