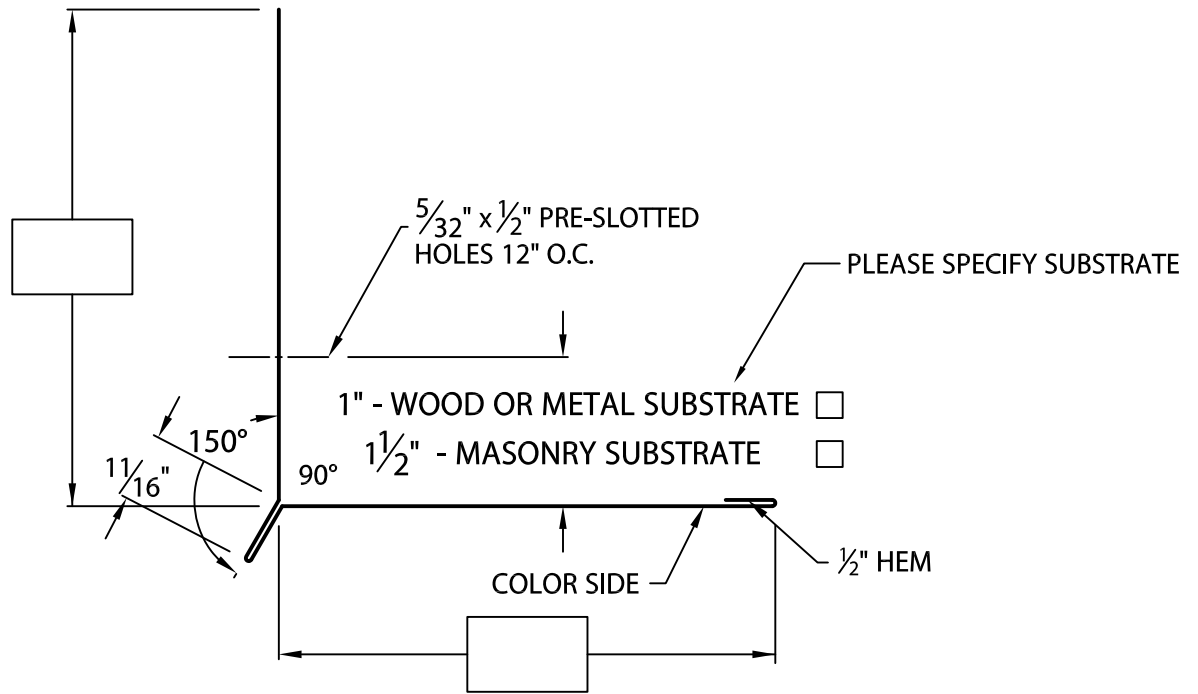


"L" ANGLE SOFFIT CLEAT

HEMMED DRIP EDGE



NOTE:

-- FABRICATION OF MITERS AND ACCESSORIES ARE FURNISHED STANDARD.

FIELD NOTCH LAP JOINT

Fabrication will proceed only after receipt of signed print approval.

Print Approval:

Architect and/or contractor shall verify all dimensions, sizes and quantities. All products to be installed in strict accordance with Metal-Era's printed instructions.

Approved by: _____

Date: _____

MATERIAL:

___ 24 GA. GALV. STEEL

COLOR: _____

___ 22 GA. GALV. STEEL

___ .040" ALUMINUM

FINISH: _____

QUANTITIES:

_____ LINEAL FEET 12'-0" LENGTHS

_____ OUTSIDE MITERS @ (_____)°

_____ INSIDE MITERS @ (_____)°

PROJECT:

ARCHITECT:

ROOFING CONTRACTOR:

REPRESENTATIVE/DISTRIBUTOR:

Corporate Offices, Manufacturing
1600 Airport Road; Waukesha, WI 53188
Phone: 800-558-2162
Fax: 800-373-9156
www.metalera.com



DATE: 01/26/22

DRN BY: JJC

CKD BY: MM

SHT.# ____ OF ____

DWG# 11018-35700

C