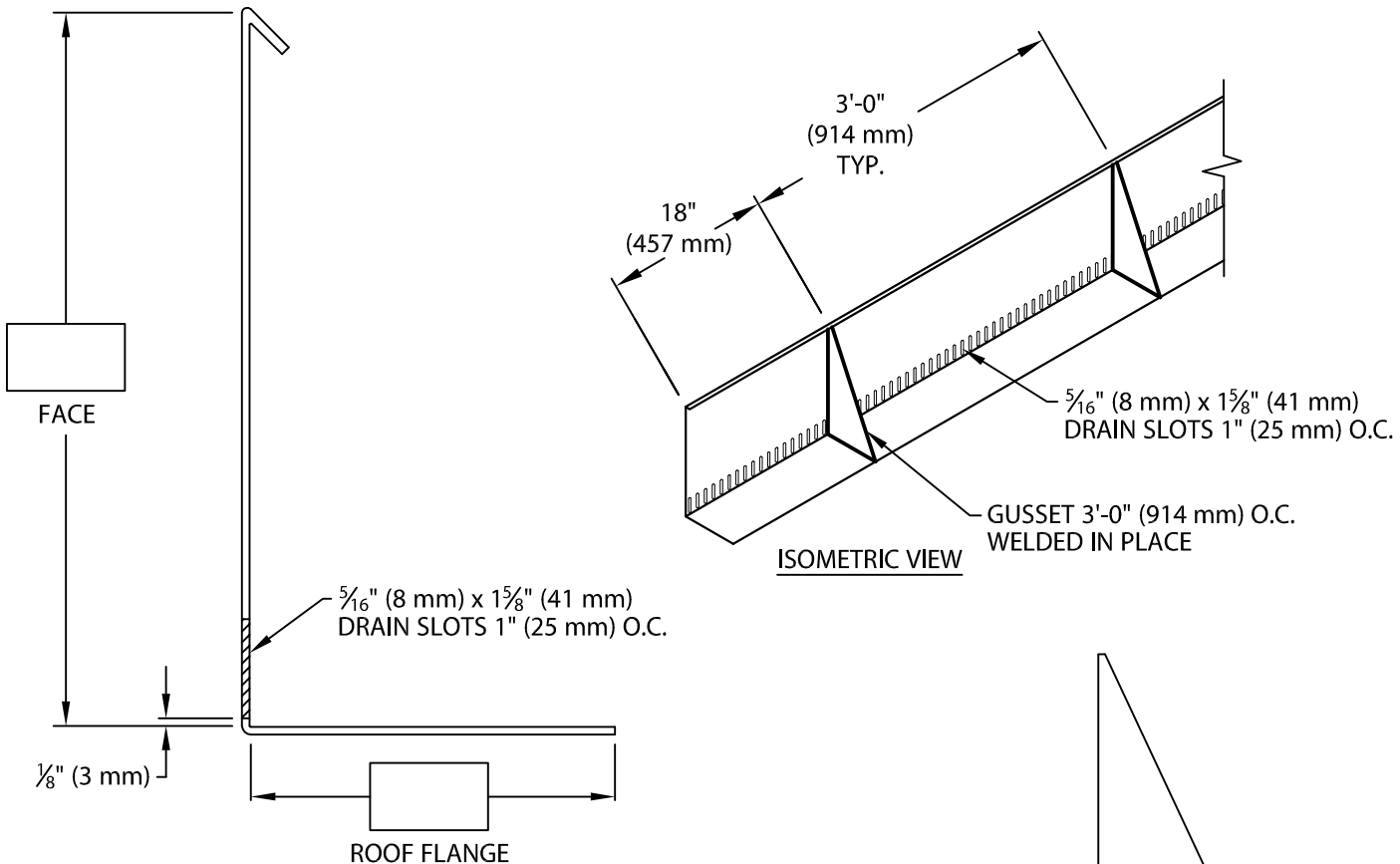


GARDEN-TITE DRAIN BAR

OVER 6" FACE HEIGHT VERSION



NOTE:
INCLUDES 3 1/2" (89 mm) WIDE CONCEALED SPLICE PLATE AT EACH JOINT.

GUSSET LOCATED
3'-0" (914 mm) O.C.
WELDED IN PLACE

Fabrication will proceed only after receipt of signed print approval.

Print Approval:

Architect and/or contractor shall verify all dimensions, sizes and quantities. All products to be installed in strict accordance with Metal-Era's printed instructions.

Approved by: _____
Date: _____

MATERIAL:

- ___ .080" (2.03 mm) Mill Finish Alum.
- ___ .125" (3.18 mm) Mill Finish Alum.

QUANTITIES:

_____ Lineal Feet 12'-0" (3.65 m) Lengths

PROJECT:	Corporate Offices, Manufacturing 1600 Airport Road; Waukesha, WI 53188 Phone: 800-558-2162 Fax: 800-373-9156 www.metalera.com
ARCHITECT:	
ROOFING CONTRACTOR:	
REPRESENTATIVE/DISTRIBUTOR:	



DATE: 04/29/10	SHT.# ____ OF ____
DRN BY: JJC	DWG# 11030-8575
CKD BY: SAK	