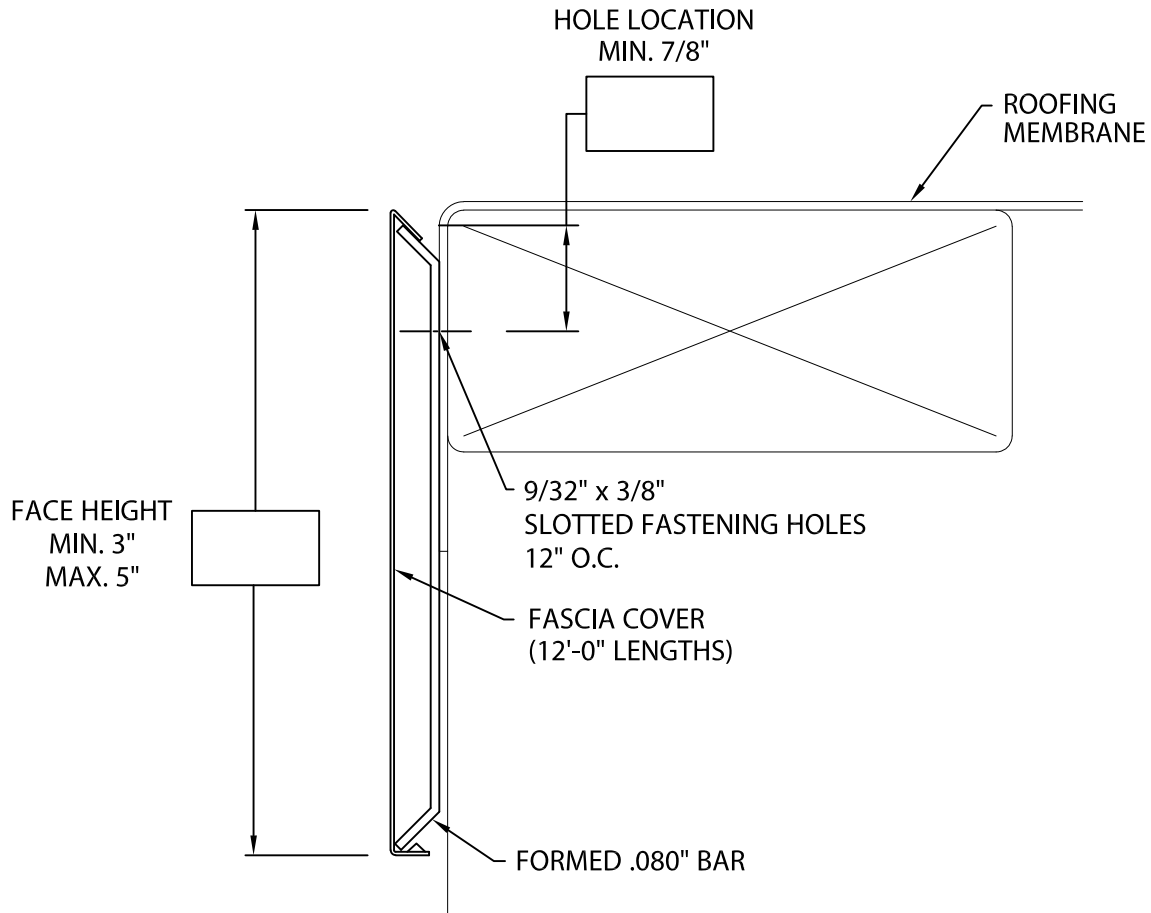


TERMINATION BAR FASCIA

ONE SLOT VERSION

WITH FORMED .080" BAR



NOTE: PROVIDED WITH 1" LAP NOTCH

Fascia is to be installed per Specifications and Metal-Era's Installation Instructions Dwg. # 11410-6448

Fabrication will proceed only after receipt of signed print approval.

Print Approval:

Architect and/or contractor shall verify all dimensions, sizes and quantities. All products to be installed in strict accordance with Metal-Era's printed instructions.

Approved by: _____

Date: _____

MATERIAL:

___ 24 Ga. (.65 mm) Galv. Color: _____

___ .040" (1.01 mm) Alum. Finish: _____

___ OTHER _____

QUANTITIES:

_____ Lineal Feet (12'-0" (3.65 m) Lengths)

_____ Outside Miters @ (_____)°

_____ Inside Miters @ (_____)°

PROJECT:

ARCHITECT:

ROOFING CONTRACTOR:

REPRESENTATIVE/DISTRIBUTOR:

Corporate Offices, Manufacturing
1600 Airport Road; Waukesha, WI 53188
Phone: 800-558-2162
Fax: 800-373-9156
www.metalera.com



DATE: 08/03/18

DRN BY: JJC

CKD BY: SAK

SHT.# _____ OF _____

DWG# 11310-1332

G