

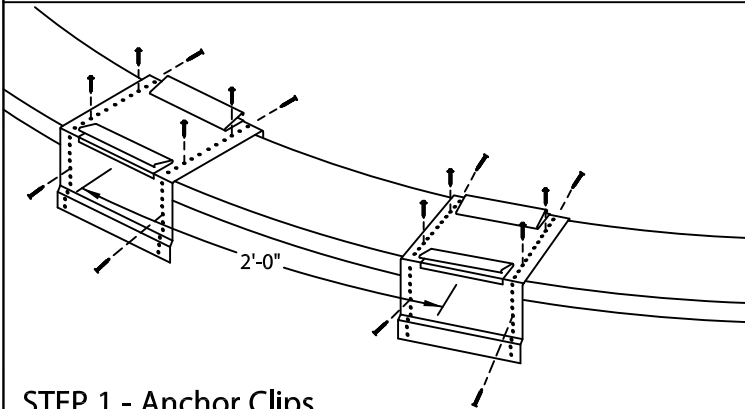


PERMA-TITE GOLD RADIUS COPING

EXISTING SLOPE VERSION - 2'-0" O.C.

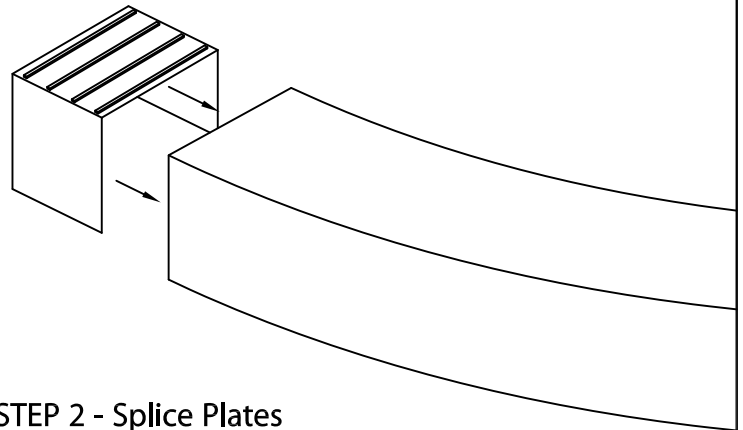
INSTALLATION INSTRUCTIONS

NOTE: Position the roofing membrane up and over the top of the wall and down the outside face of the wall covering the treated wood nailer(s) completely. Allow 1/2" excess membrane if necessary.



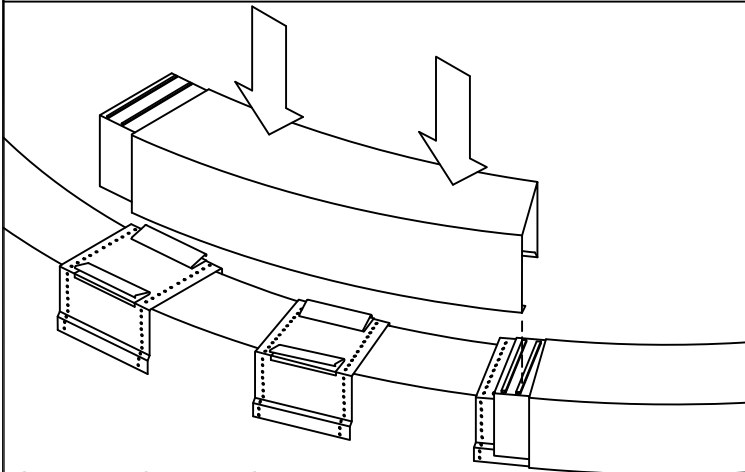
STEP 1 - Anchor Clips

Locate and fasten anchor clips at 2'-0" O.C. with provided fasteners for substrate (see detail A).



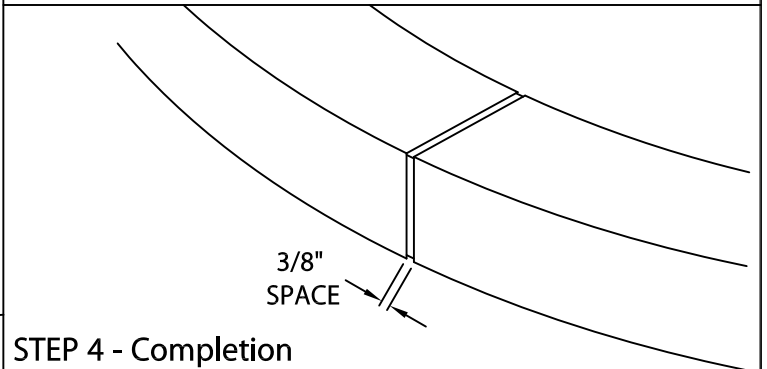
STEP 2 - Splice Plates

Remove release paper from left two sealant strips. Insert splice plate into the right end of radius section.



STEP 3 - Coping Cover

Remove release paper from right two factory applied sealant strips on the splice plate in the coping section. Install 4'-0" radius coping sections from left to right. Place coping into position and press downward until snap-lock occurs.

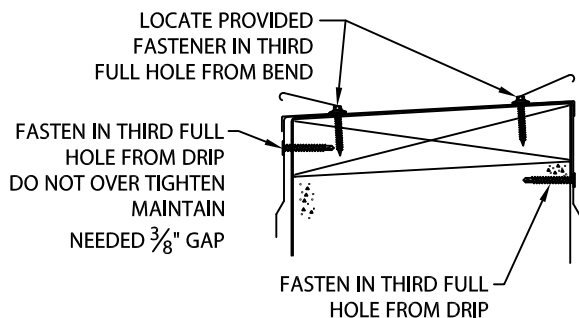
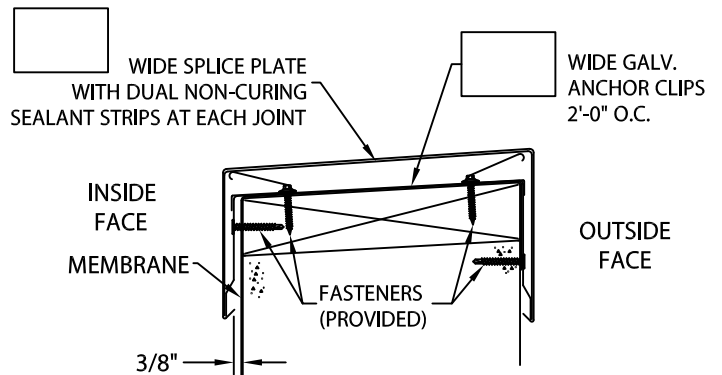


STEP 4 - Completion

Continue installing coping with a 3/8" space at splice joints to allow for thermal expansion. Field cut where necessary using a fine tooth hacksaw or snips.

NOTE: REMOVE PROTECTIVE FILM IMMEDIATELY.

TYPICAL COPING INSTALLATION



ANCHOR CLIP FASTENING-DETAIL A



Phone: 800-558-2162
Fax: 800-373-9156
www.metalera.com

DATE: 07/07/22
DRN BY: MLM
CKD BY: MM

SHT.# ___ OF ___
DWG# 11111-38840

B