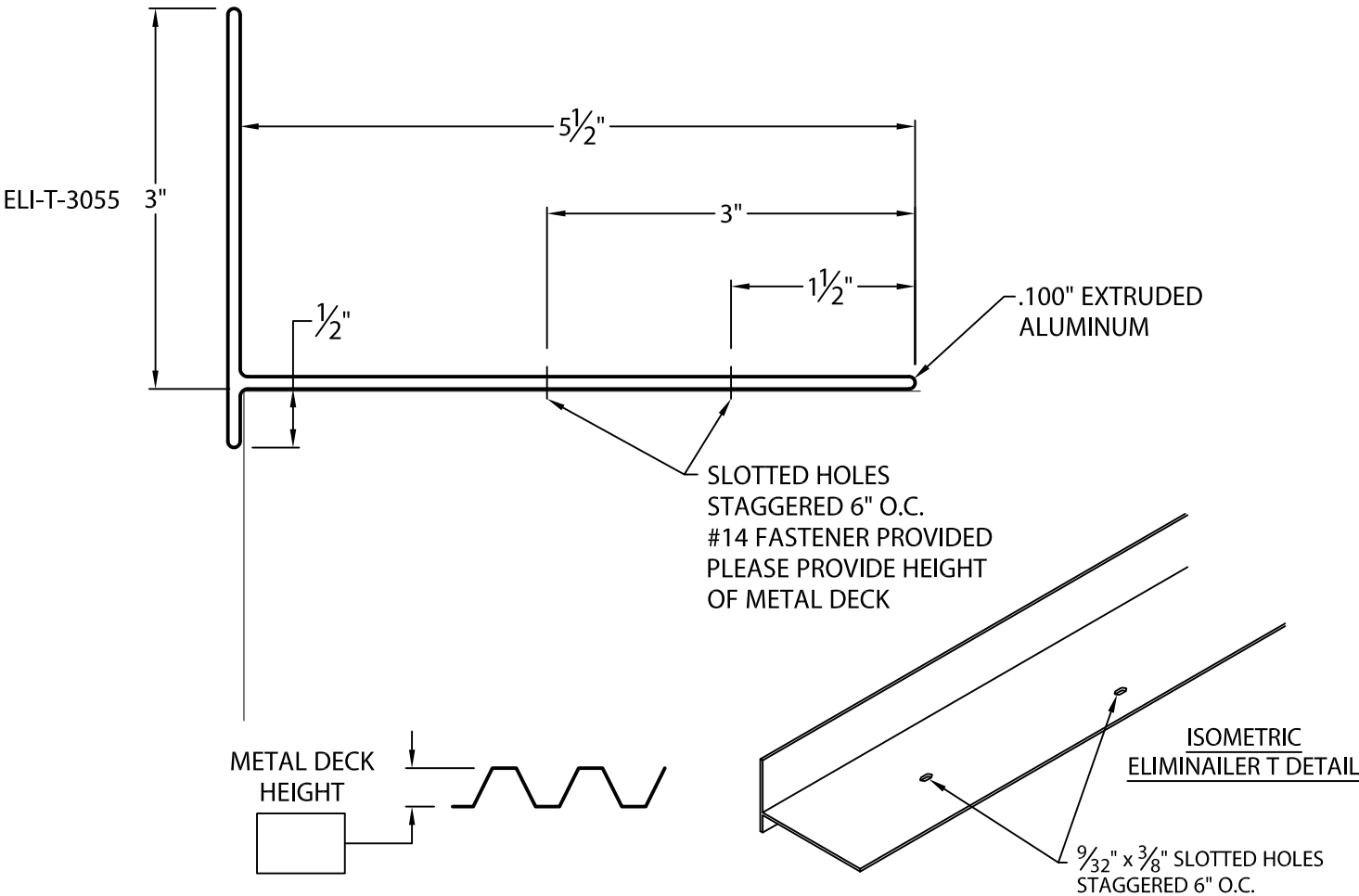


ELIMINAILER®-T

FOR USE WITH METAL DECK, 3" VERSION

U.S. PATENT # 9,878,023 B1



Fabrication will proceed only after receipt of signed print approval.

Print Approval:

Architect and/or contractor shall verify all dimensions, sizes and quantities. All products to be installed in strict accordance with Metal-Era's printed instructions.

Approved by: _____

Date: _____

NOTE: FASTENERS PROVIDED WILL BE METAL DECK HEIGHT PLUS 1" MINIMUM. THE SUBSTRATE THE FASTENERS ARE ATTACHING TO MUST BE 22 GA. OR GREATER.

QUANTITIES:

_____ LINEAL FEET 12'-0" LENGTHS

PROJECT: _____

ARCHITECT: _____

ROOFING CONTRACTOR: _____

REPRESENTATIVE/DISTRIBUTOR: _____

Corporate Offices, Manufacturing
 1600 Airport Road; Waukesha, WI 53188
 Phone: 800-558-2162
 Fax: 800-373-9156
 www.metalera.com



DATE: 04/15/19 SHT.# ____ OF ____

DRN BY: ZS

CKD BY: SAK DWG# 11018-28226 **B**