



# ANCHOR-TITE EXTENDED FASCIA

BUILT-UP OR MODIFIED VERSION

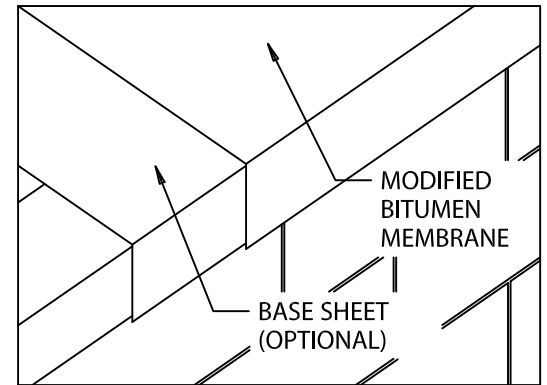
INSTALLATION INSTRUCTIONS

## For Use With Modified Roof Systems

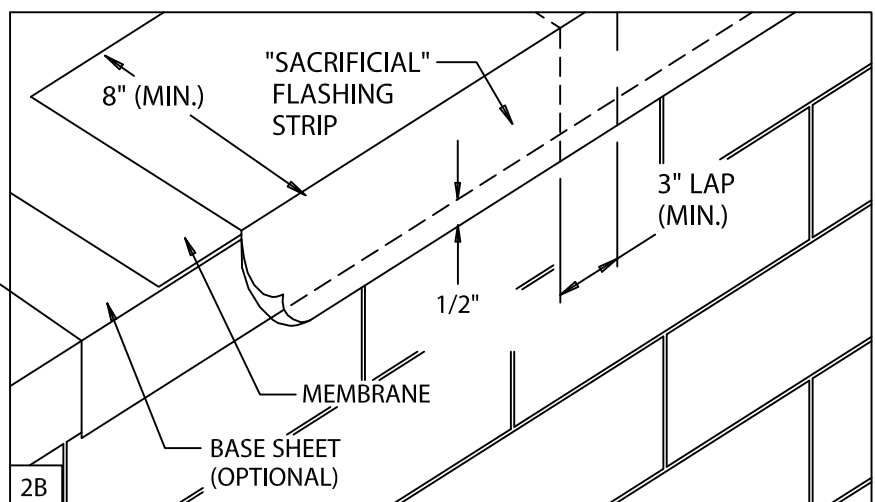
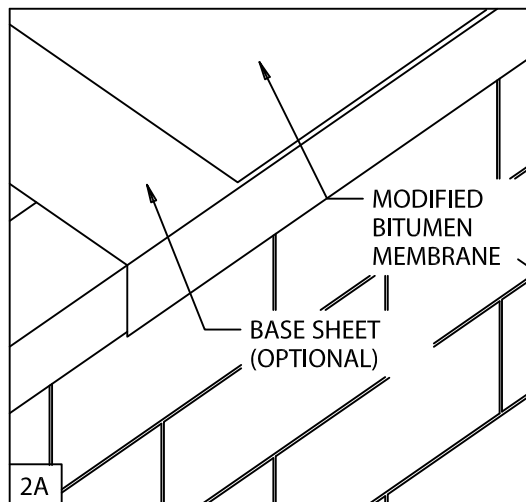
### 1. Roof Membrane

Follow the general recommendations of the roofing membrane manufacturer for membrane treatment at the roof edge. Position modified membrane over the roof edge and down the outside face as shown.

**IMPORTANT!** Outside edge of treated wood nailer(s) (minimum 2 x 4) shall be aligned flush with outermost edge of wall. Anchor-Tite Extended Fascia is for use as a perimeter securement on roof designs where the product is not installed in a waterline. If the product will be in a waterline or requires drainage over the edge, we would recommend the use of Anchor-Tite Canted Fascia or Anchor-Tite Drip Edge, depending on desired retention of water or drainage.



**NOTE:** Some manufacturers may require a "sacrificial" flashing strip. (Refer to drawing 2A & 2B) Please check with membrane manufacturer prior to installation.



### 2. Roof Edge

Install "sacrificial" flashing strips according to membrane manufacturers recommendations. Install the largest manageable lengths possible to minimize overlaps under the anchor bar. Following the applicable flashing method (hot mop, cold adhesive, etc..) according to the manufacturer's recommendations, lay the flashing strip into place extending a minimum 8" onto the roof membrane and down the outside face of wall, 1/2" beyond the wood nailer.

**NOTE:** In cold weather, the back of flashing strip should be treated appropriately and shorter lengths of flashing strips should be used.



Phone: 800-558-2162  
Fax: 800-373-9156  
www.metalera.com

DATE: 10/24/19  
DRN BY: ZS  
CKD BY: JAI

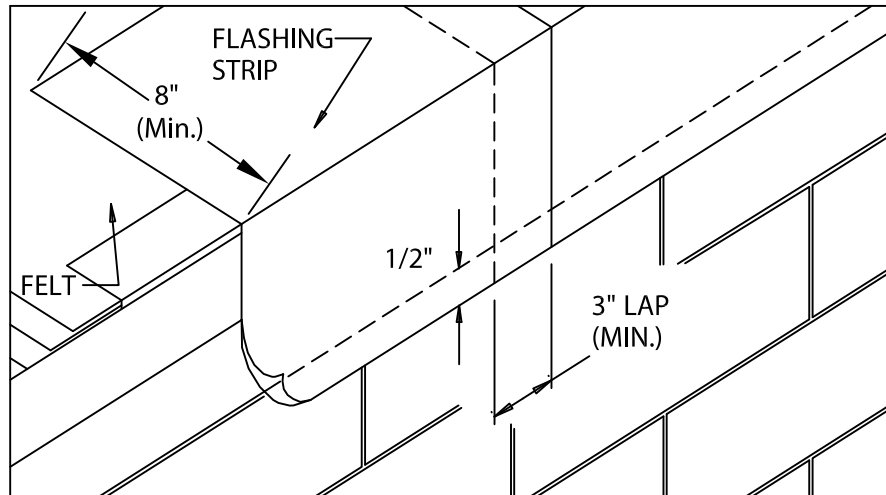
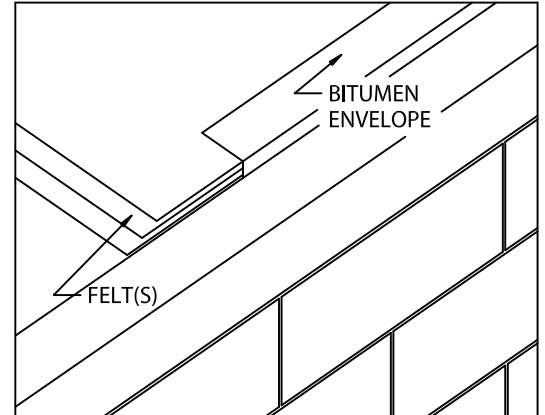
SHT.# 1 OF 5  
DWG# 11110-1159 **K**

## For Use with Built-Up Roof Systems

### 1. Roof Membrane

Prior to the application of the Anchor-Tite Fascia, it is suggested that the contractor follow the common recommended industry practice of installing an "envelope" over the ends of the base or B.U.R. plies. As always, follow the general recommendations of the roofing membrane manufacturer for membrane treatment at the roof edge.

**IMPORTANT!** Outside edge of treated wood nailer(s) (minimum 2 x 4) shall be aligned flush with outermost edge of wall. Anchor-Tite Extended Fascia is for use as a perimeter securement on roof designs where the product is not installed in a waterline. If the product will be in a waterline or requires drainage over the edge, we would recommend the use of Anchor-Tite Canted Fascia or Anchor-Tite Drip Edge, depending on desired retention of water or drainage.



### 2. Roof Edge

Cut flashing strip into the longest possible sections manageable to minimize laps at the edge. Starting at outside edge, mop surface of felts out onto the roof membrane with Type III or IV asphalt. Lay the flashing strip into place over the roof edge extending 1/2" below nailer and onto the roof membrane a minimum of 8". The sheet should be "worked-in" to ensure that it is firmly and uniformly bonded. In cool or cold weather, the back of flashing strip should also be mopped with the hot bitumen, and shorter lengths of flashing strips should be used. Laps in the flashing strip should be a minimum of 3" and well sealed.

**NOTE!** Flashing strip is material used in construction of traditional flashing systems on built-up roofs. It readily conforms to transitions at the outside edge and wall area. (Follow general recommendations of the roofing membrane manufacturer.)



# ANCHOR-TITE EXTENDED FASCIA

BUILT-UP OR MODIFIED VERSION

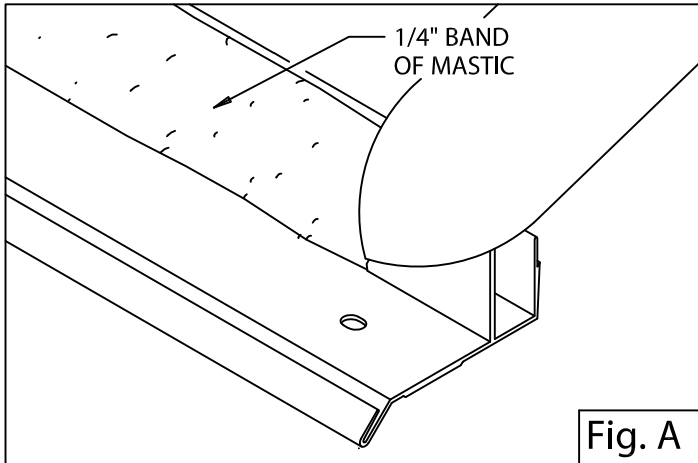


Fig. A

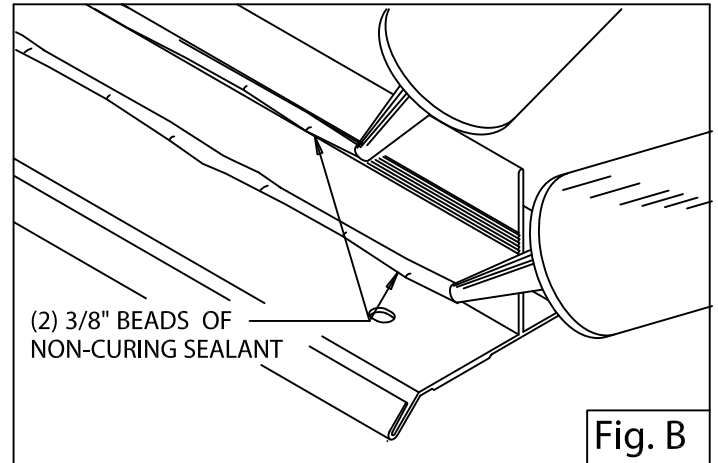
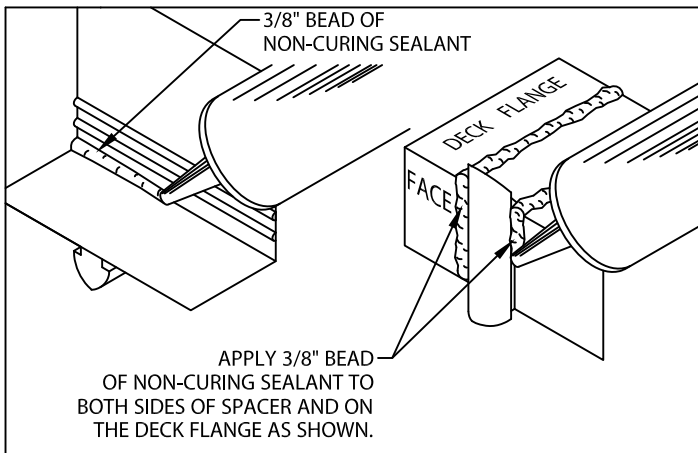


Fig. B

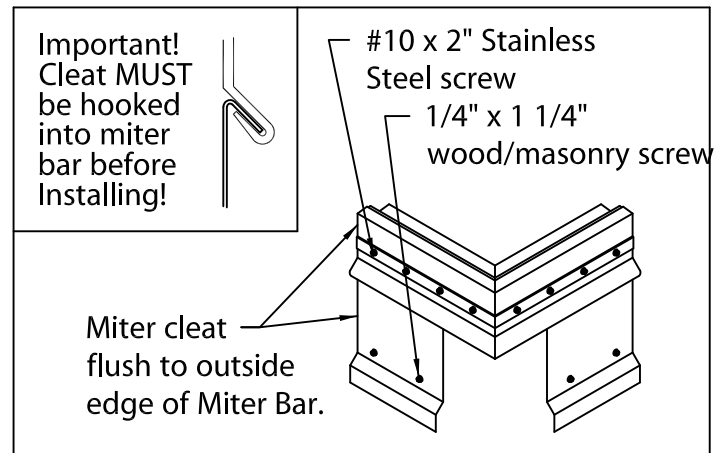
### 3. Miter & Scupper Anchor Bar (Preparation)

OPTIONAL INSTALL

Lay miters and spillout scuppers on deck with outside face down. Be sure aluminum anchor bar is clean and free of dirt or dust. Refer to Fig. A or B, depending on roofing manufacturer's recommendations. For Fig. A, Apply a 3" wide 1/4" thick band of mastic to the back of the anchor bar as shown. For Fig. B Apply a heavy 3/8" bead of non-curing sealant to the back of anchor bar as shown. Application of either type of mastic or sealant is required along the full length of each miter anchor bar.



APPLY 3/8" BEAD OF NON-CURING SEALANT TO BOTH SIDES OF SPACER AND ON THE DECK FLANGE AS SHOWN.



Important! Cleat MUST be hooked into miter bar before installing!

Miter cleat flush to outside edge of Miter Bar.

### 4. Anchor Bar Splice Plates

Apply sealant to each splice plate as shown and as described in STEP 3. Ensure the sealant is placed into the grooves along the spacer.

CAUTION! Installers shall wear protective eyewear to prevent injury. Do not over-drive fasteners, as stripping can occur at high driver torque. Recommended driving tool: 600-800 rpm electric drill equipped with depth-sensing nosepiece to prevent over-driving and stripout.

Do not use impact type tool.

### 5. Miter Bar & Miter Cleat Installation

Hook miter cleat pieces to miter bar. Flush ends of miter cleat piece and miter bar. Install miter assembly with one anchor bar splice plate under each end of miter bar, anchor bar must insert into the grooves of the anchor bar splice plate. Fasten the miter bar using 2" Hex head stainless steel fasteners. Fasten miter cleat using 1 1/4" hex head corrosion resistant fasteners. Fasteners and drive bits provided by Metal-Era. Next locate and install spillouts and scuppers with sealant, fasteners and anchor bar splice plates.



Phone: 800-558-2162  
Fax: 800-373-9156  
www.metalera.com

DATE: 10/24/19  
DRN BY: ZS  
CKD BY: JAI

SHT.# 3 OF 5  
DWG# 11110-1159

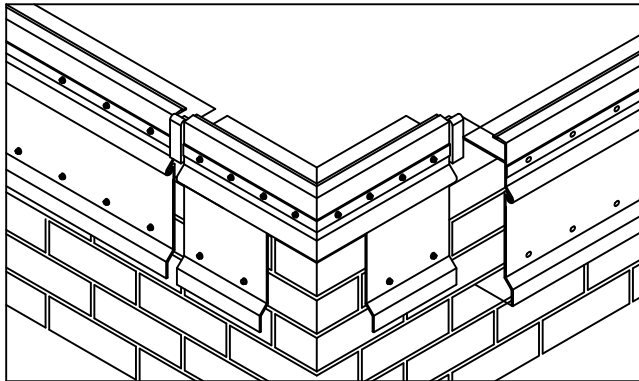
K



# ANCHOR-TITE EXTENDED FASCIA

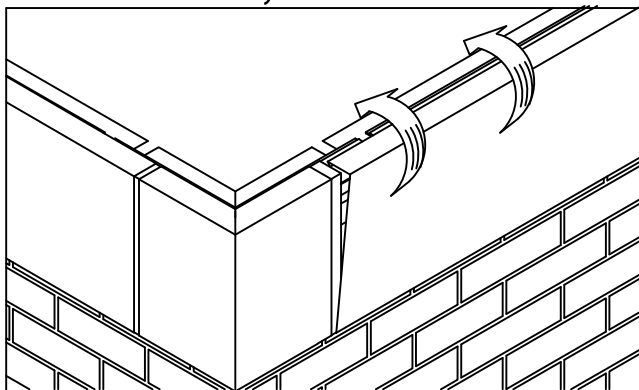
BUILT-UP OR MODIFIED VERSION

**IMPORTANT!** Be sure to remove protective plastic film prior to installing each fascia section.



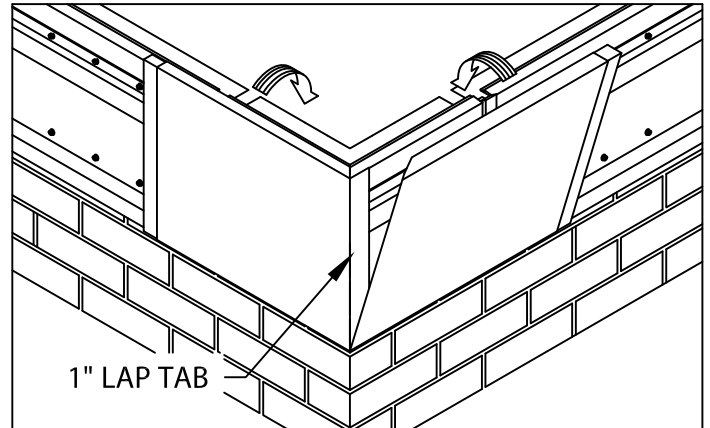
## 6. Anchor Bar & Cleat Installation

Hook anchor cleat to anchor bar as shown in step 5. Position 12' anchor bar/cleat sections with applied non-curing sealant as shown in step 3, overlapping anchor bar splice plate. Allow  $\frac{3}{8}$ " space between anchor bars. Install anchor bar splice plate at other end of bar/cleat section. Fasten anchor bar 12" O.C. through slotted holes using provided 2" fasteners. Fasten anchor cleat 24" through slotted holes using provided  $1\frac{1}{4}$ " fasteners. The anchor bars must insert into the grooves of the anchor bar splice plates. Field cut sections as necessary.



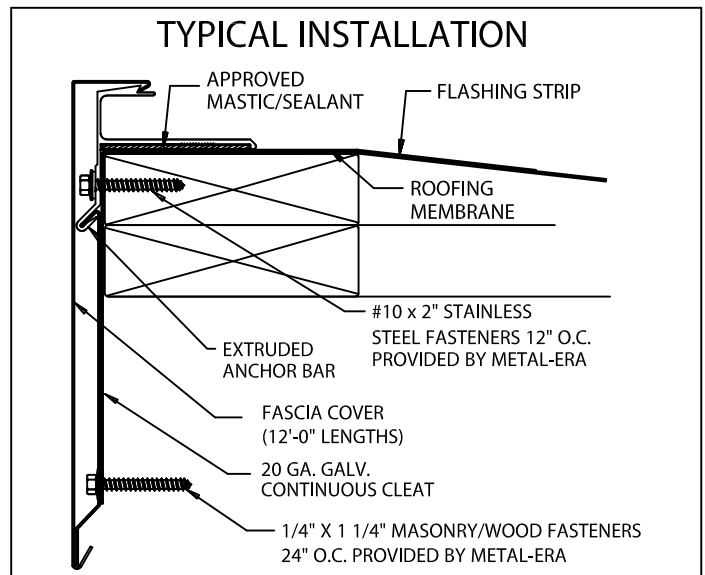
## 8. Fascia Covers

Install 12'-0" fascia cover sections. Allow a  $\frac{3}{8}$ " gap between fascia cover sections. Insert one splice plate under far end of each fascia cover section. Install cover by hooking lower edge of cover onto Anchor cleat and rotating cover up and over Anchor bar until engaged along entire length of cover section. Continue to install cover sections in this manner, field cutting where necessary using a fine tooth hacksaw.



## 7. Fascia Miters Covers

Install miter covers first. Insert one splice plate under each end of the two piece miter cover. Engage cover with 90° tab onto bottom of anchor bar and rotate miter cover up and over anchor bar miter until engaged along entire length of the anchor bar. Repeat steps to install miter cover without the 90° tab.



U.S. Patent # 7,451,572

**IMPORTANT!** Be sure to remove protective film prior to installing each fascia section.



Phone: 800-558-2162  
Fax: 800-373-9156  
www.metalera.com

DATE: 10/24/19  
DRN BY: ZS  
CKD BY: JAI

SHT.# 4 OF 5  
DWG# 11110-1159

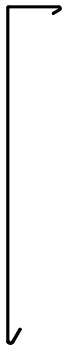
K

# ANCHOR-TITE EXTENDED FASCIA

BUILT-UP OR MODIFIED VERSION

INSTALLATION INSTRUCTIONS

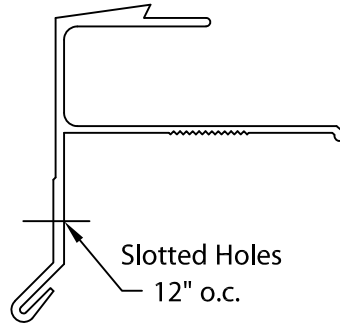
## COMPONENT LIST



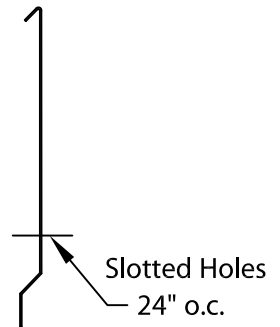
Fascia Cover  
12'-0" Lengths



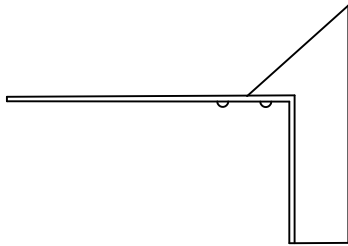
Cover Splice Plate  
3½" Wide



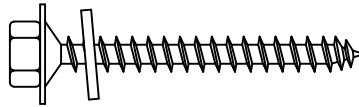
Extruded Anchor Bar  
12'-0" Lengths



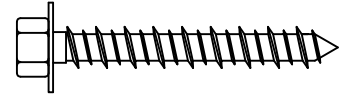
Continuous Anchor Cleat  
12'-0" Lengths



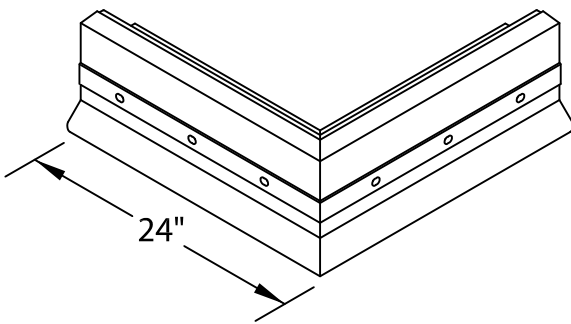
Anchor Bar Splice  
3½" Wide w/ ¾" EPDM Gasket



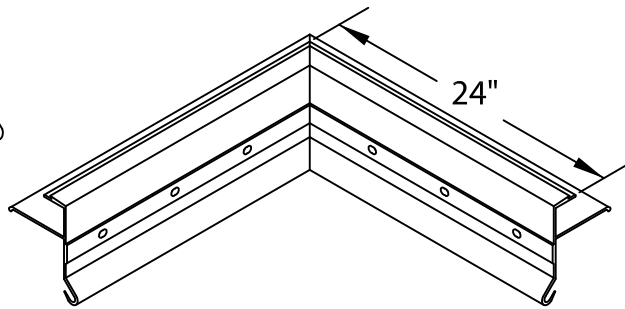
#10 X 2" Stainless Steel  
Wood/Metal Screw w/ washer  
for installing Anchor Bar



¼" X 1¼"  
Masonry/Wood Screw w/ washer  
for installing Anchor Cleat



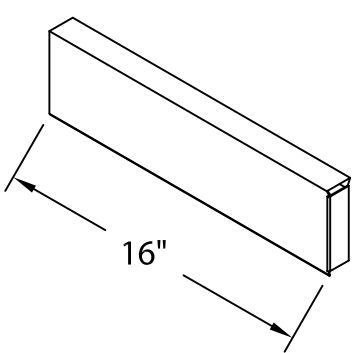
Anchor Bar Miter  
Outside



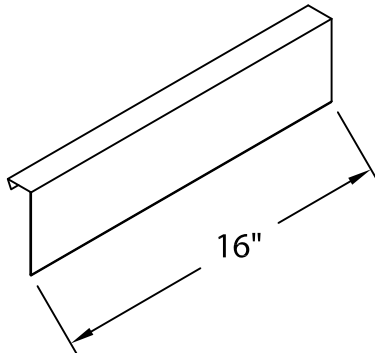
Anchor Bar Miter  
Inside



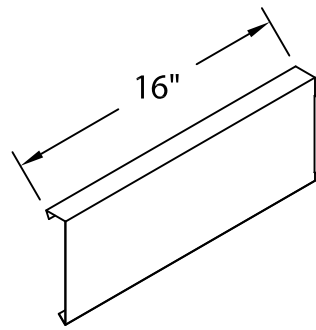
Anchor Cleat for Miters  
(2) 14" Long pcs. per miter



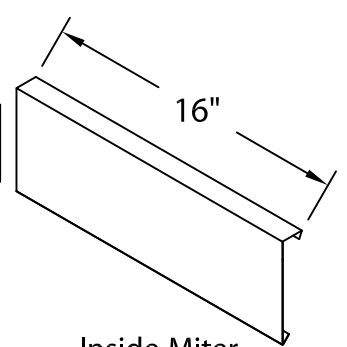
Outside Miter  
Cover With Tab



Outside Miter  
Cover Without Tab



Inside Miter  
Cover With Tab



Inside Miter  
Cover Without Tab