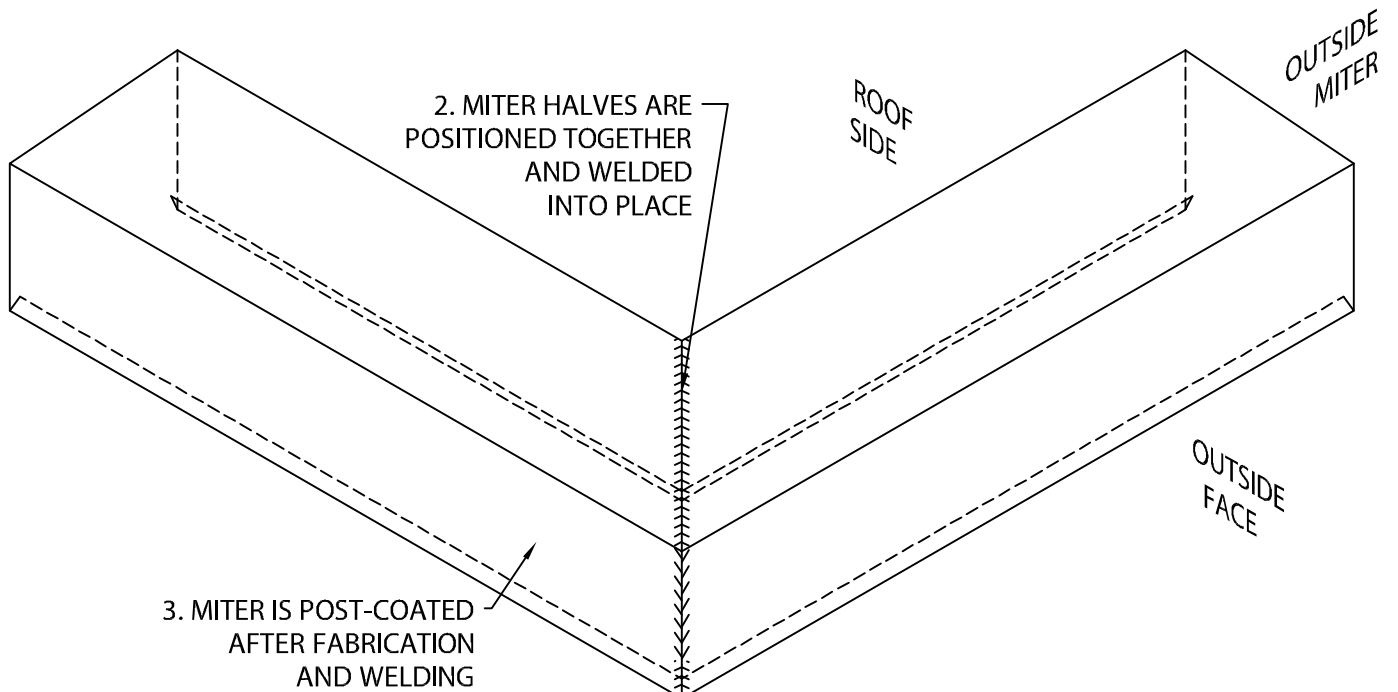
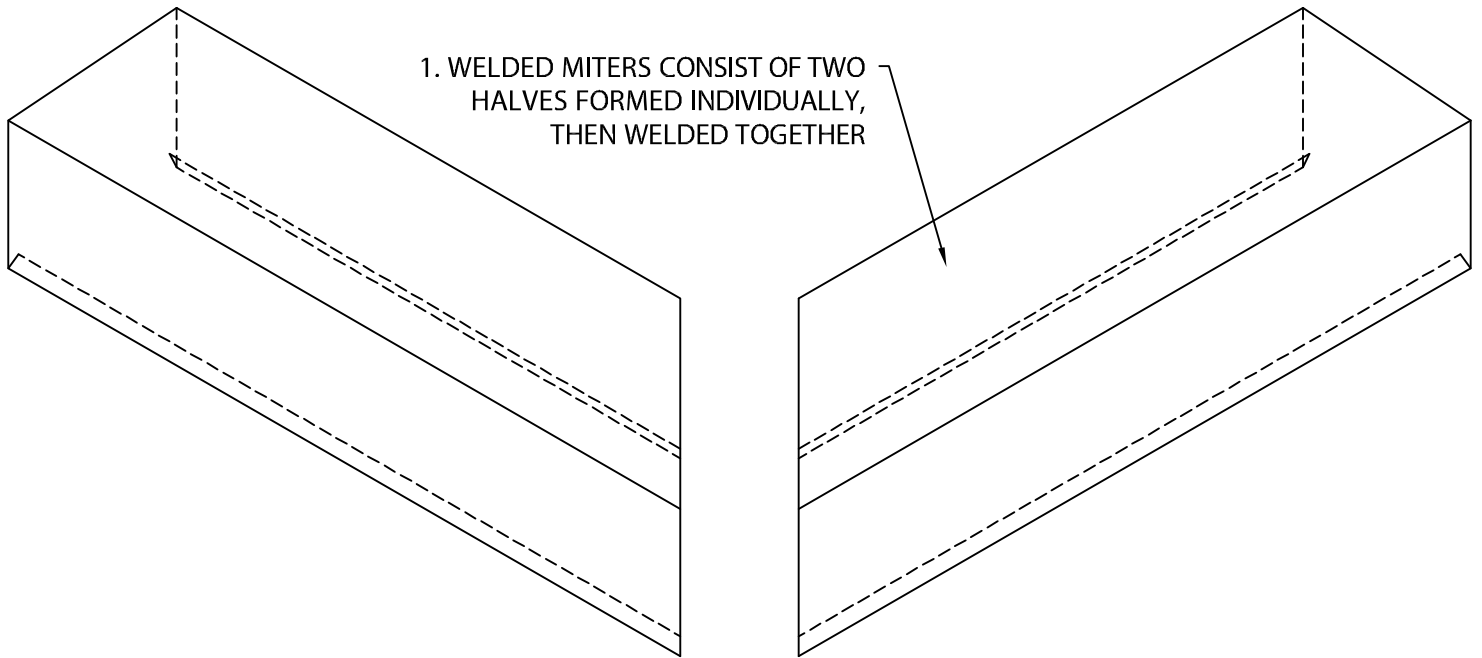


PERMA-TITE GOLD COPING MITERS

WELDED POST-FINISHED MITER ASSEMBLY



3. MITER IS POST-COATED AFTER FABRICATION AND WELDING

WELDED MITERS ARE FABRICATED WITH WELDED OUTSIDE CORNERS



Phone: 800-558-2162
Fax: 800-373-9156
www.metalera.com

DATE: 03/06/13
DRN BY: JJC
CKD BY: SAK

SHT.# ___ OF ___

DWG# 11511-17398

A