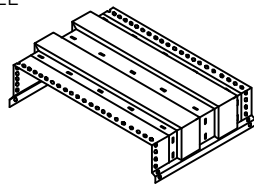
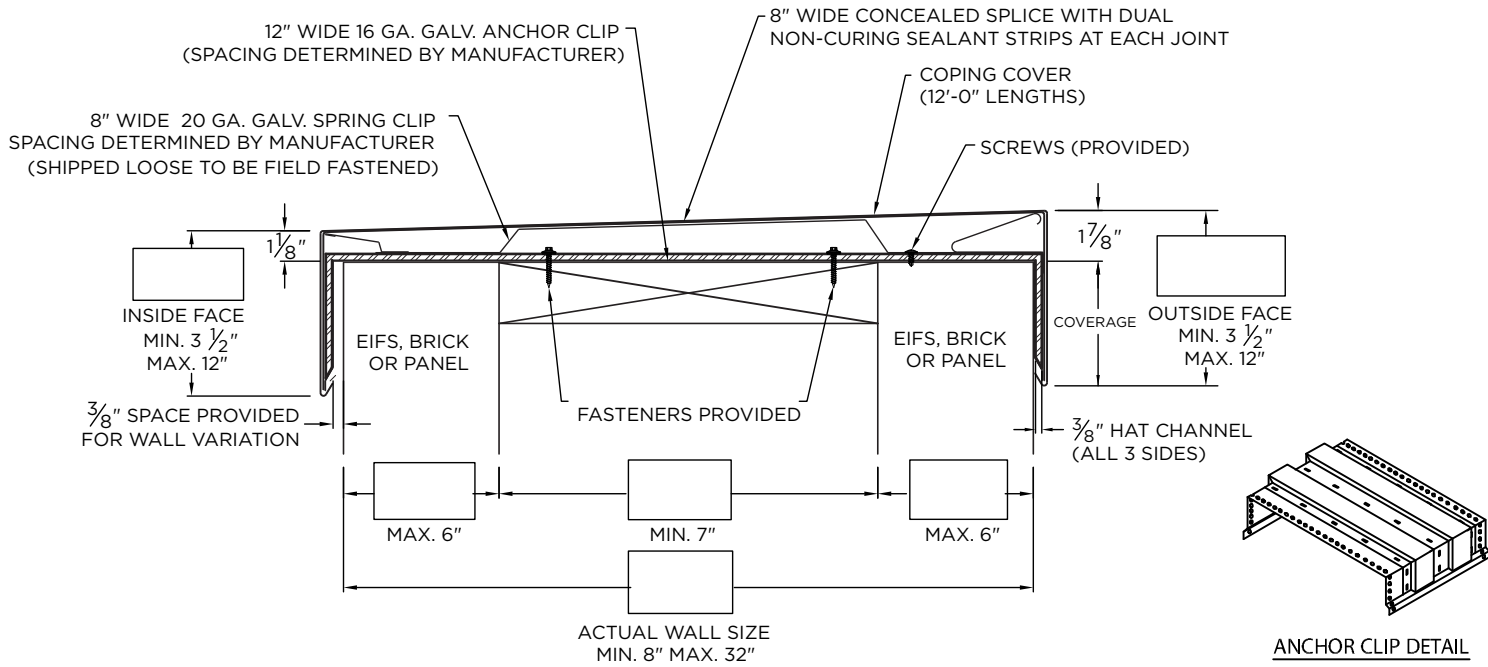


PERMA-TITE CANTILEVER COPING

DOUBLE CANTILEVER



ANCHOR CLIP DETAIL

* NOTES

- 24 ga. Galv. and .040" Alum. Coping covers available for wall sizes 8" to 24" ONLY
- Oil canning can occur on larger face heights; recommend 22 ga., .050" or .063" for face height over 8"
- Unless otherwise noted, fabrication of miters and accessories are furnished standard utilizing a non-penetrating quicklock joint, then factory sealed watertight.
- Welded accessories require a minimum material thickness of .050"
- For non-90 miters, see separate print approval
- Product should be installed per provided installation instructions

PROJECT INFO

Project Name: _____

Architect: _____

Roofing Contractor: _____

Project Type:

By selecting this box you have verified and confirmed that dimensions, sizes, and quantities are correct. All products will be installed in strict accordance with printed instructions.

SHT# 1 of 2

DATE: 06/13/23

Date: _____

Metal-Era LLC
1600 Airport Rd.
Waukesha, WI 53188
Phone: 800-558-2162
www.metalera.com

DRN BY: JJC

CKD BY: MM

DWG #: 11011-21037

REV: E

MATERIAL*

24 Ga. Galv. Steel Color: _____

22 Ga. Galv. Steel Finish: _____

.040" Aluminum Substrate:

.050" Aluminum if substrate is not Wood

.063" Aluminum given, wood fasteners Masonry

OTHER: _____ will be provided. Metal

QUANTITIES

_____ Lineal Feet (12'-0" Lengths)

_____ Outside Miter (90°)

_____ Inside Miter (90°)

_____ Right Endcaps

_____ Left Endcaps

Accessory Type* : Quicklock (Default) Welded (Surcharge)

_____ Right Endwall Flashing (Coping Version)

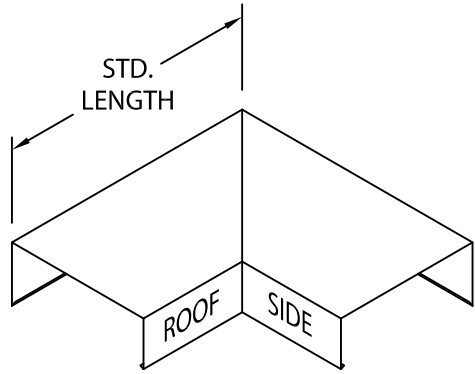
_____ Left Endwall Flashing (Coping Version)

_____ Right Endwall Flashing (Splice Plate Version)

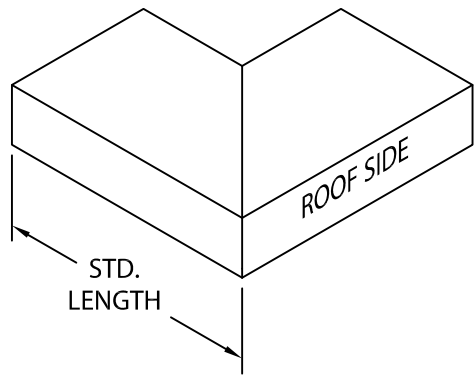
_____ Left Endwall Flashing (Splice Plate Version)

PERMA-TITE CANTILEVER COPING

STANDARD ACCESSORIES

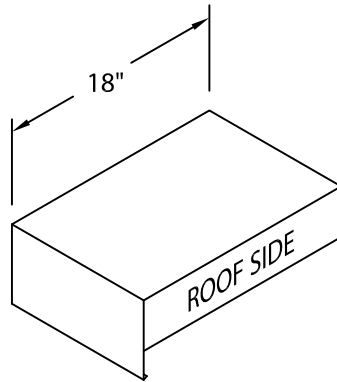


OUTSIDE MITER

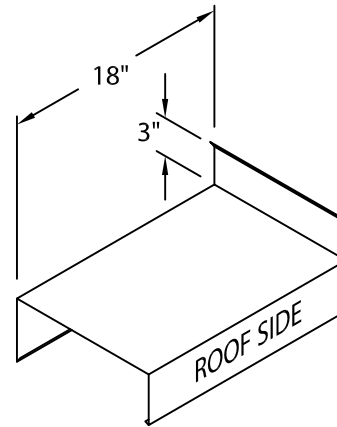


INSIDE MITER

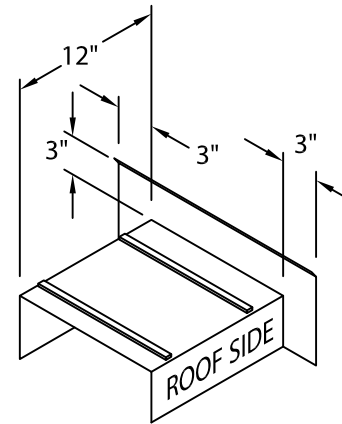
MITER STANDARD LEG LENGTH:
WALL SIZE + **10 3/8"** = LENGTH



ENDCAP
(LEFT HAND SHOWN)



ENDWALL FLASHING
COPING VERSION
(RIGHT HAND SHOWN)



ENDWALL FLASHING
SPLICE PLATE VERSION
(RIGHT HAND SHOWN)
(AVAILABLE ONLY IN
.040" WELDED, PAINTED
TO MATCH COPING)

NOTES

Additional accessories are available including:

- Transition Miters
- Straight Transition Miters
- "T" Miters
- "Z" Miters
- Step-up Miters
- Peak / Valley Miters
- Pilaster Caps
- Radius Coping

For additional accessory requirements, attach sketches or call manufacturer for assistance.

SHT# 2 of 2

DATE: 06/13/23

DRN BY: JJC

CKD BY: MM

DWG #: 11011-21037

REV: E

Metal-Era LLC
1600 Airport Rd.
Waukesha, WI 53188
Phone: 800-558-2162
www.metalera.com