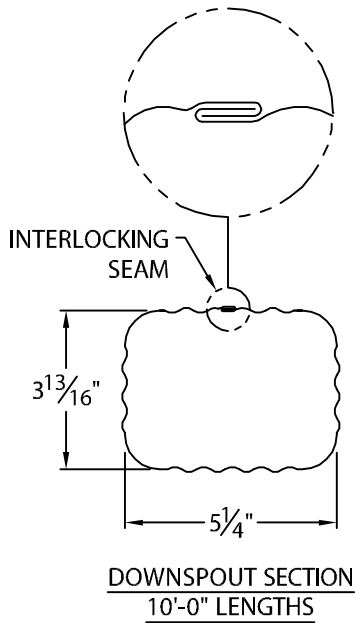
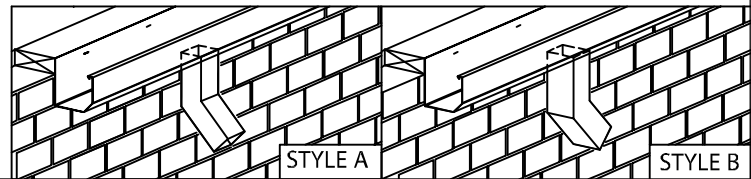
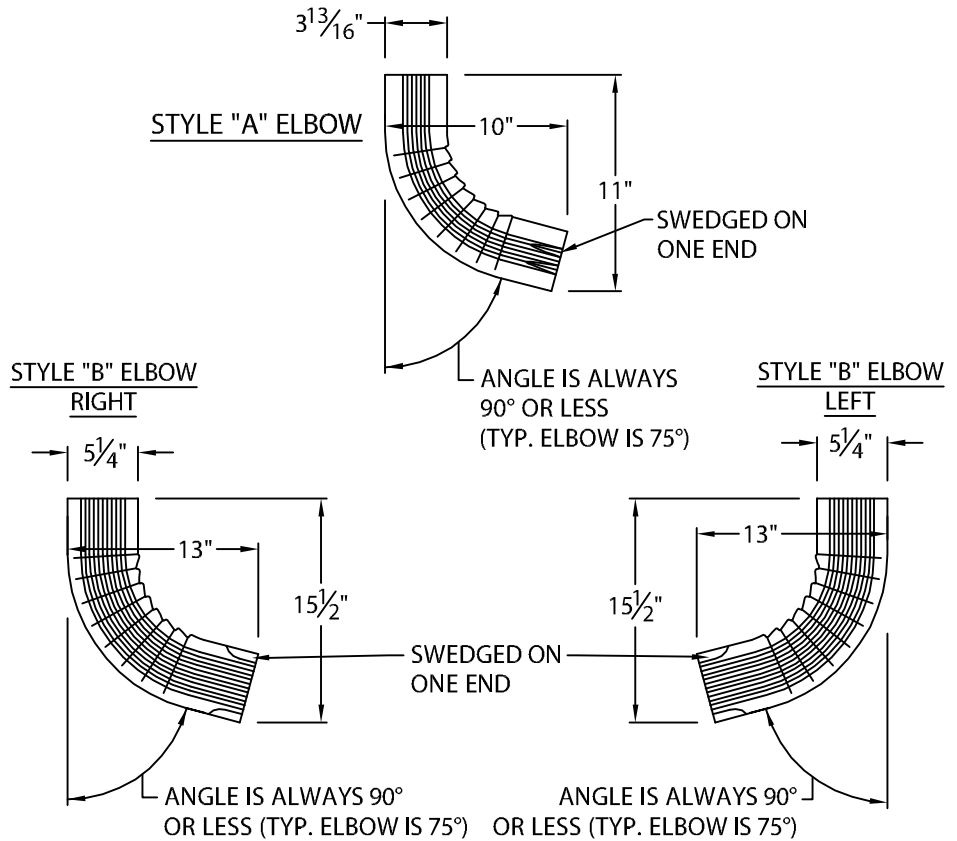


SEAL-TITE LT CORRUGATED DOWNSPOUT & ELBOWS

4" x 5" DOWNSPOUT



2¹/₄" WIDE DOWNSPOUT STRAPS
(2 PER 10'-0" LENGTH)



Fabrication will proceed only after receipt of signed print approval.

Print Approval:

Architect and/or contractor shall verify all dimensions, sizes and quantities. All products to be installed in strict accordance with Metal-Era's printed instructions.

Approved by: _____

Date: _____

DOWNSPOUT MATERIAL: ___ 24 GA. GALV. STEEL ___ 22 GA. GALV. STEEL ___ .032" ALUMINUM ___ .040" ALUMINUM OTHER _____ COLOR: _____ FINISH: _____	ELBOW MATERIAL: ___ 24 GA. GALV. STEEL ___ .032" ALUMINUM OTHER _____ COLOR: _____ FINISH: _____
--	--

QUANTITIES:

_____ LINEAL FEET 10'-0" LENGTHS

_____ PIECES @ _____ LENGTHS

_____ OUTLETS _____ STYLE B RIGHT ELBOWS (____°)

_____ STYLE A ELBOWS (____°) _____ STYLE B LEFT ELBOWS (____°)

PROJECT:

ARCHITECT:

ROOFING CONTRACTOR:

REPRESENTATIVE/DISTRIBUTOR:

Corporate Offices, Manufacturing
1600 Airport Road; Waukesha, WI 53188
Phone: 800-558-2162
Fax: 800-373-9156
www.metalera.com



DATE: 01/31/17

DRN BY: JJC

CKD BY: SAK

SHT.# _____ OF _____

DWG# 11013-25530 **A**