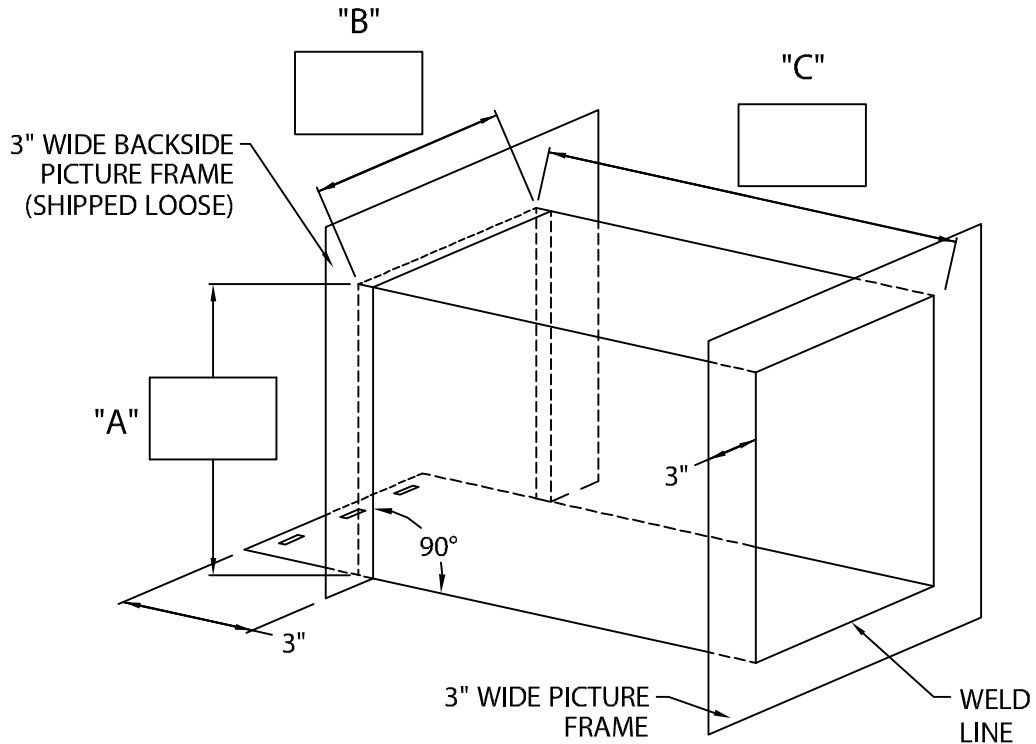


CUSTOM THRU-WALL SCUPPER

NOTE: WELDED



NOTE: WELDED SCUPPER

Fabrication will proceed only after receipt of signed print approval.

Print Approval:

Architect and/or contractor shall verify all dimensions, sizes and quantities. All products to be installed in strict accordance with Metal-Era's printed instructions.

Approved by: _____

Date: _____

MATERIAL:

.063" ALUMINUM

COLOR: _____

FINISH: _____

QUANTITIES:

_____ AMOUNT REQUIRED*

*QUANTITIES OVER 15 REQUIRE AN EXTENDED LEAD TIME DUE TO POST COATING PROCESS.

PROJECT:

ARCHITECT:

ROOFING CONTRACTOR:

REPRESENTATIVE/DISTRIBUTOR:

Corporate Offices, Manufacturing
1600 Airport Road; Waukesha, WI 53188
Phone: 800-558-2162
Fax: 800-373-9156
www.metalera.com



DATE: 03/15/16

DRN BY: JJC

CKD BY: SAK

SHT.# ____ OF ____

DWG# 11318-5816

B